

Rackmount KVM Console **(2 Port / 4 Port)** **User Manual**

www.kinankvm.com

@all right reserved Shenzhen Kinan Technology Co., Ltd.

Printing date: 2025/02

Version: V1.0

Overview

Product Description:

The KVM console integrates multiple port KVM switches in a 1U height console. It can control multiple computers with a set of device including monitor, keyboard and mouse, thus saving much cost and space to separately equip keyboard, mouse and monitor for every computer.

Installation is quick and easy, requiring only the cables to be connected to the correct ports, with no software configuration required, so there are no complicated installation processes or incompatibilities.

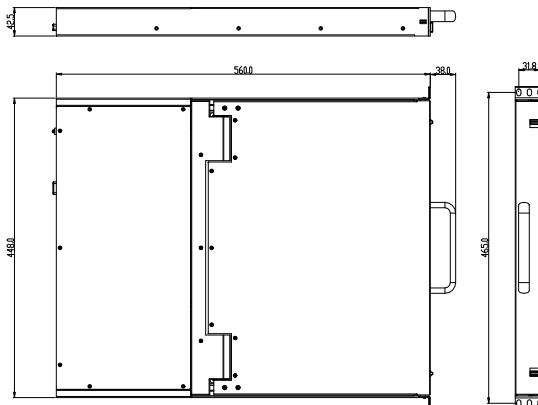
Product Features

- 18.5" LED TFT LCD display, high brightness, high definition, high resolution display
- 1U height, suitable for 19" standard cabinet installation, metal structure
- Ultra-thin 99 keyboard with numeric keyboard, standard PS/2 interface
- Adopt touchpad mouse, high resolution, high sensitivity. 2 function keys and scroll wheel function (the horizontal bar area on the right side of the touchpad is the scroll wheel function area), in line with PS/2 standard interface

Switch Functions:

- A single console manages up to 2 / 4 units
- Cross-platform support - Windows, Linux, Mac, and Sun
- Support for multimedia USB keyboards (PC, Mac and Sun)
- USB keyboard and mouse signal emulation – ensures that the server boots correctly regardless of whether the console is switched to the server
- No software installation required - easy server selection via buttons and keyboard hotkeys
- Automatic scanning mode continuously monitors the server selected by the user
- Support hot-plugging - add or remove servers at any time without turning off the power

Structural Dimensions



Front view (See Figure 1-1.1)

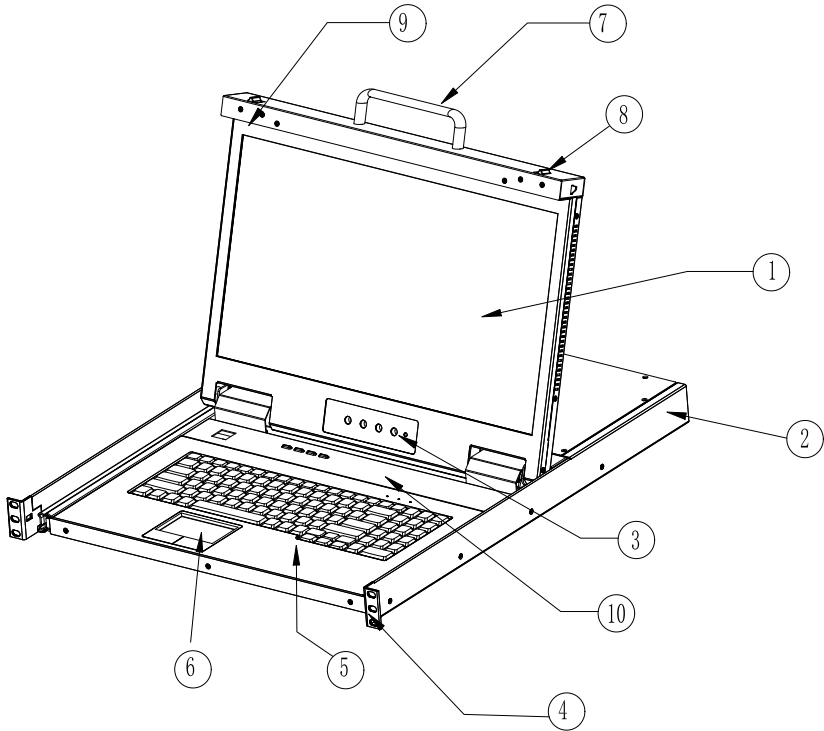


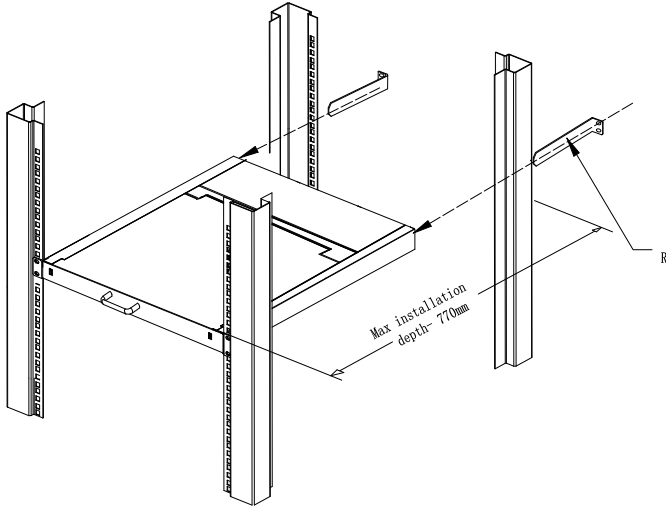
Figure 1-1.1 Front view

- 1. LCD display
- 2. Rear Bracket Slot
- 3. OSD control keys
- 4. Front Bracket
- 5. Keyboard
- 6. Touchpad
- 7. Handle
- 8. Lock
- 9. Display panel
- 10. Switch LED

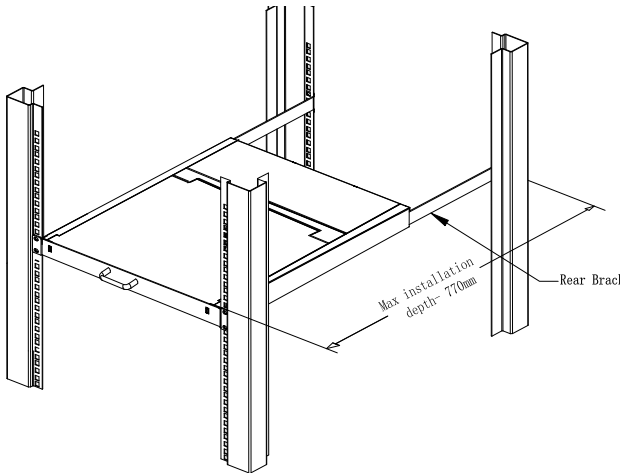
Hardware Installation

A standard rack mounting kit is provided to mount the switch in a depth of 686-770mm in a standard 19" rack. For other mounting distance, the rear brackets need to be customized accordingly

With one person hold the switch in place and the other person slides the L bracket into the switch's side mounting brackets from the front to the back, then screws the brackets to the rack.(see below installation drawing)



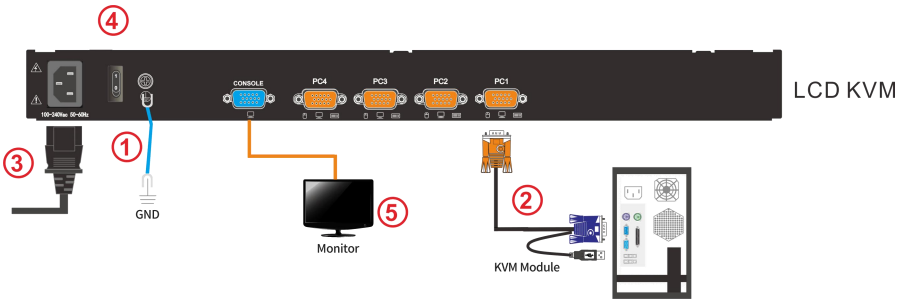
2-1.1 rack mounting (1)



2-1.2 rack mounting (2)

Installation Diagram

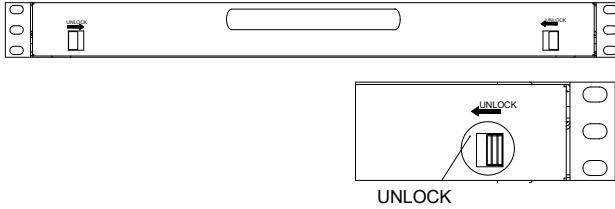
1. Make sure the rack-mounted KVM console (at point ① in the figure) is grounded.
2. Connect the computer to KVM with kvm cables as shown in Figure ② .
3. Connect power cable to KVM port as shown in Figure ③ .
4. Turn on the power switch (Figure ④), then the KVM start to work after power supply.



To ensure signal integrity and simplify cable layout, we strongly recommend you using high quality cables with different length as shown in above table.

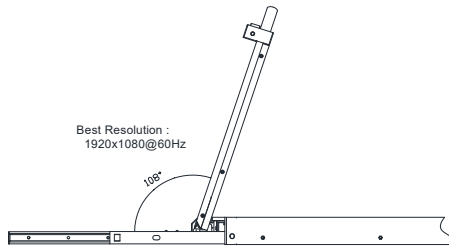
Opening the console

- Release the lock;



***Note:** The lock is only used for horizontal locking and cannot be used for load bearing

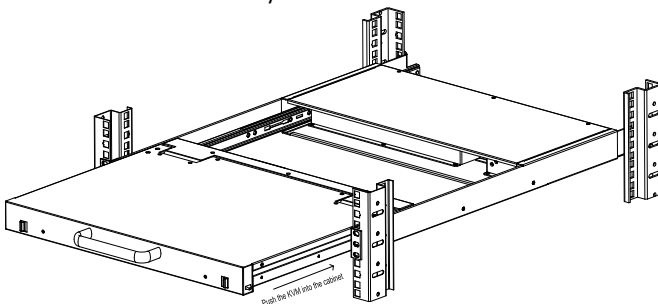
- Pull the KVM console completely out of the cabinet, and the guide rail will lock automatically;
- At this time, the display panel can be opened and the display can be opened to 108°;



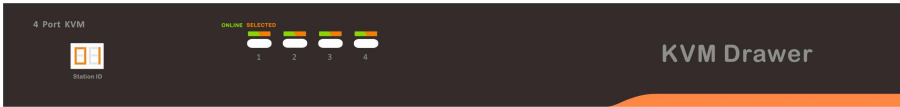
- LED panel is powered on when the power LED is green.
- After the KVM is powered on, you can turn on the computer or server, and the corresponding port button will light up green color.

Closing the console

- Close the display panel and the screen power will automatically turn off.
- Push the KVM parallel to the cabinet: apply a little force when pushing, and the slide rail will automatically unlock until the KVM is completely pushed into the cabinet and the KVM chassis is automatically locked.



LED Instructions



NO.	Components	Function
1	1-2 or 1-4	1) Ports can be freely switched from 1 to 2 or 4
2	Port indicators	<p>Port indicators are built into the port selector switch. Online indicator on the left, selected port indicator on the right</p> <p>1) The online indicator (green) indicates that corresponding computer has connected to the KVM and is powered on.</p> <p>2) The selected indicator (orange) indicates that the computer of the corresponding port is in use.</p>
3	Station ID	Display the current port number.

Hot Key Operation

Press [L_Ctrl] twice in succession (within 1S) and you will hear a warning tone, indicating that the keyboard is in hotkey mode.

1) Keyboard mode:

If no key is pressed within two seconds in the keyboard hotkey mode, the keyboard will exit the hotkey operation mode. The hotkey commands are as follows: [L_Ctrl] twice + the corresponding key of each function

Function Name	Operation	Function
Port Switching	+ 1~4	Directly switch ports 1 to 4, for example: Press [L_Ctrl] + 2 twice to switch the second port of the current grage.
	+ ↑/↓	Continuously switch to the previous or next port
Automatic scanning	+ S	<p>1. Scan the port connected to the PC or server. The scanning time can be set by the user through the options in the OSD menu. Pressing any key on the keyboard will exit the scanning state.</p> <p>2. Moving the mouse can extend the scanning time accordingly</p>

*Note:

The port number must be selected using the numeric keys on the large keyboard. The

numeric keys on the small keyboard cannot be used as hotkey command.

Product Specifications (18.5 ")

Function		XW1802	XW1804
Computer connections	Direct connections	2	4
	Maximum connections	2	4
Port emulation	Keyboard, mouse	USB	
LCD Monitor (LED widescreen)	Display	FHD TFT	
	Viewing area	18.47"	
	Optimal resolution	1920×1080@60Hz	
	Color Display	16.7 M	
	Brightness	250cd/m ² (Typ)	
	Contrast	1000:1 (Type)	
Mouse	Pixel pitch(mm)	0.213(H) × 0.213(W)	
	X/Y resolution	>1000 points/inch, (40 points/mm)	
	Scroll Wheel	Support scroll wheel function	
Keyboard	99 keys (82-key main keyboard + 17-key independent numeric keyboard)		
Port selection	Buttons, Hotkeys , OSD menu		
Power input	100V- 240Vac, 50-60Hz, <1.5A		
Power consumption	23W	25W	
Mounting distance	686-770mm (L=262mm) Other specifications can be customized with special mountingbrackets		
Operating temperature	0—50 °C		
Storage temperature	-20— 60 °C		
Humidity	0—80% RH, non-condensing		
Net weight	11.5 kg	11.5 kg	
Product dimension (W x D x H)	448mm×560mm×42.5mm		
Package dimension (W x D x H)	765mm×615mm×185mm		