

1U Short Depth Rack Mount 15.6"LCD KVM Console

(XW1602)

User Manual



www.kinankvm.com

@all right reserved Shenzhen Kinan Technology Co., Ltd.

Printing date: 2022/03

Version: V1.2

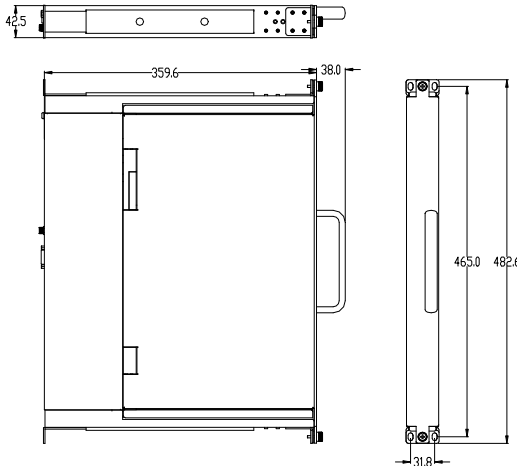
Overview

The XW1602 1U rackmount console is the ideal solution for ETC specialized rack, 5G rack, network specialized rack and standard server rack. Featuring an integrated 15.6" LCD display, full-99 key keyboard and touchpad, all in a 1U rack-mountable housing, it supports the shortest mounting depth: 360mm. Controls up to 2 computers from a single keyboard-mouse-monitor console. This console is designed with two anti-vibration fixing screws on the front panel to prevent the console during transportation and operating.

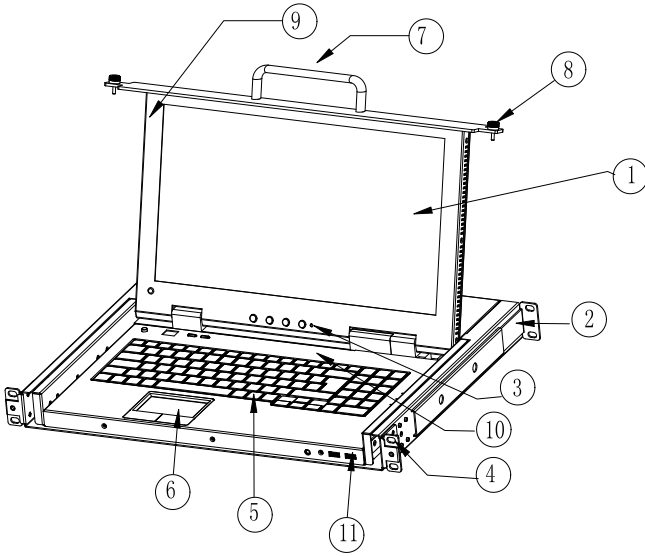
Features

- 15.6" FHD LCD display, 99-key keyboard, touchpad
- Rack-mountable in 1U system rack
- Short depth: 360mm
- Auto PS/2 and USB interface detection
- High resolution and high flexibility with touchpad; with two function buttons and scroll wheel
- Resolution is up to 1920 x 1080@60Hz
- Constructed of heavy-duty steel in a 1U housing
- A single console manages up to 2 servers
- Convenient computer switching via front panel buttons and hotkeys
- Energy-saving LCD display, the screen automatically shut down when closing the LCD monitor.

Appearance

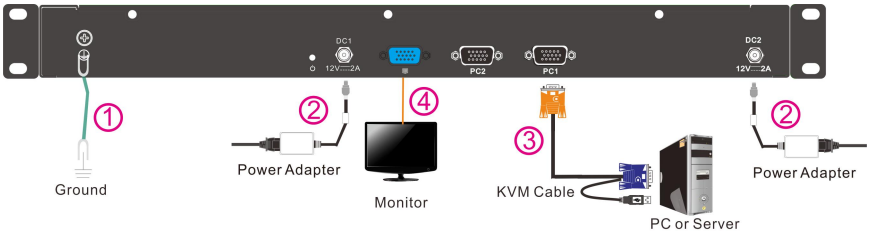


Front view



- 1. LCD Display
- 2. Rear Bracket
- 3. LED OSD Controls
- 4. Front Bracket
- 5. Keyboard
- 6. Touchpad
- 7. Handle
- 8. Fixing Screw
- 9. Display panel
- 10. Switching LEDs
- 11. USB port

Connection Diagram

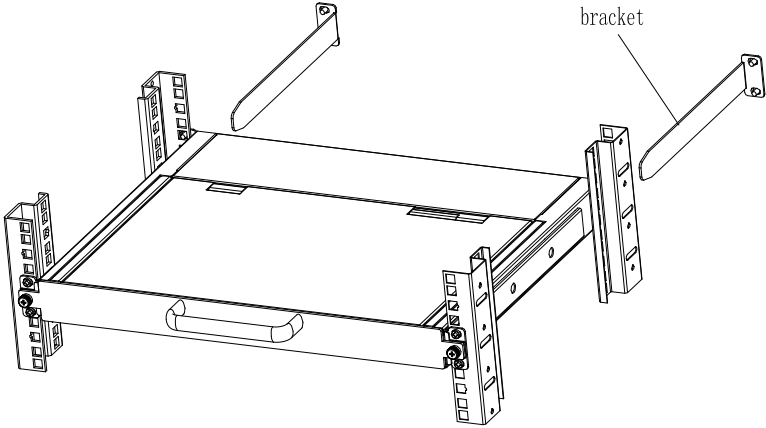


To ensure signal integrity and simplify cable layout, we strongly recommend you using high quality cables with different length as shown in above table.

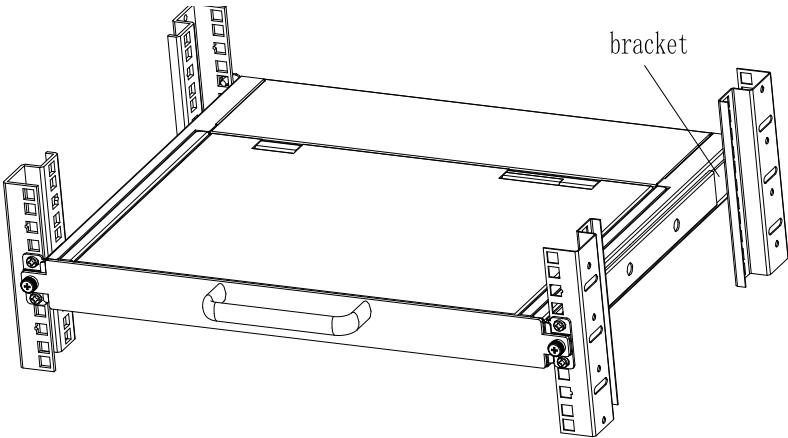
Rack Mounting

A standard rack mounting kit is provided to mount the LCD console in a depth of 266-400mm in a standard 19" rack. (For other depth, the rear bracket can be customized accordingly, check figure 2-1.1 and 2-1.2)

With one person hold the switch in place and the other person slides the L bracket into the switch's side mounting brackets from the front to the back, then screws the brackets to the rack. (See below installation drawing)

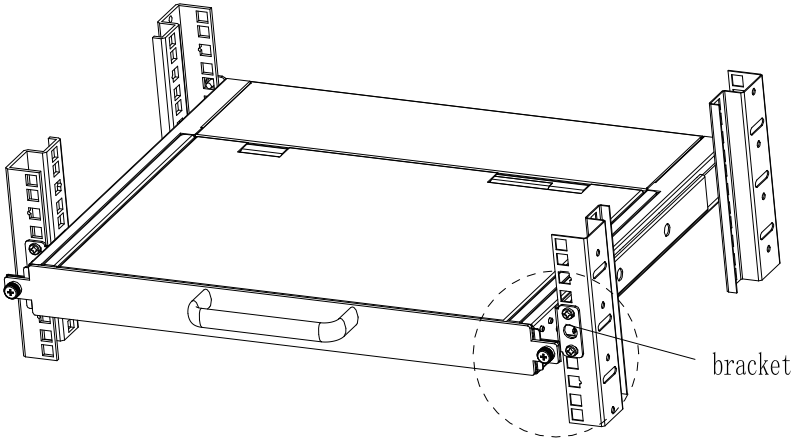


2-1.1 rack mounting (1)



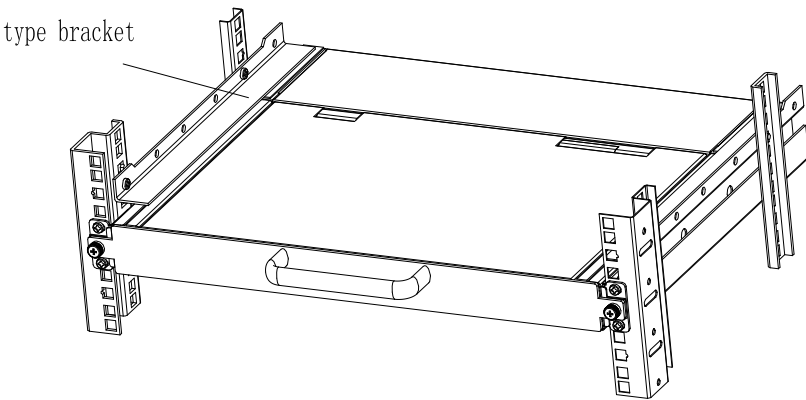
2-1.2 rack mounting (2)

For depth: 300-400mm, move back the rear brackets before installation.



2-1.3 rack mounting (3)

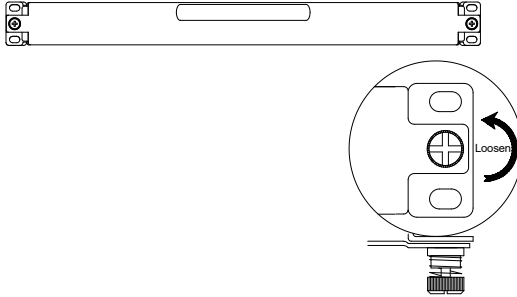
For rack without rear vertical frame, need to install L stand.



2-1.4 rack mounting (4)

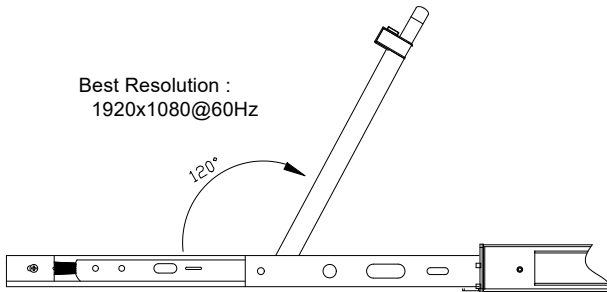
Opening the console

- Power on the KVM after connection
- Pull it out, and the rails will be locked automatically;
- Release the front panel screw



2-2.1 unlocking

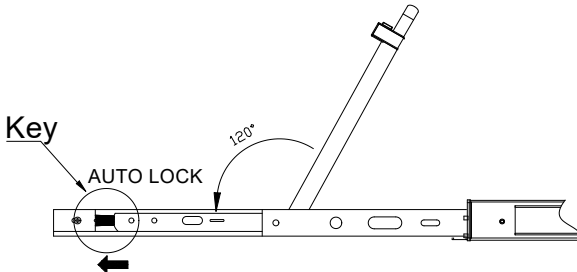
- Rotate the LCD module all the way back to expose the LCD screen, the LCD module can be rotated up to 125°. (Recommend to 120°.)



2-2.2 rotate angle of the console

Closing the console

- Close the LCD display panel and the power automatically shut down.
- Push the release catch in the direction of the arrow, push the LCD panel all the way in until it automatically locks up.



2-2.4 open angle of the console

LED Instructions



No.	Components	Function
1	1-2	Switching from port 1 to port 2
2	Port Selection Buttons& LEDs	Indicator LEDs are built into the switches, the online LED light is on the left and the selected LED light is on the right. 1) An online LED light(green) indicates that the KVM has connected to its corresponding computer and power on. 2) A selected LED light(orange) indicates that the computer attached to its corresponding port is up and running.

LCD OSD Configuration



Buttons	Functions
MENU SELECT	Press this button invokes the menu function and brings up the main menu.
EXIT/AUTO	Press this button exits the current menu and return to the previous menu or press this button exits the LCD OSD. Press AUTO for automatic configuration.
SL-/SL+	Press this button moves your menu to make corresponding adjustment.
LED state	Green: running Red: power off or access nonstandard VESA signal Green Flash: energy saving mode or no signal

Press AUTO if the screen migrates after power on or under other circumstances, then the screen auto configure to its best display state.(It might can't be adjusted to its best state if part of the display mode is not standard VESA mode, if so return back to OSD menu to RESET, then it will back to normal.

We suggest our customers to set up the display mode at 1920x1080, refresh rate at 60Hz.

Hot Key

Invoke hotkey: double click **【L_Ctrl】** + the corresponding function key

Hotkeys	Function
【L_Ctrl】 + 【L_Ctrl】 + 【1】	Switch to port 1
【L_Ctrl】 + 【L_Ctrl】 + 【2】	Switch to port 2
【L_Ctrl】 + 【L_Ctrl】 + 【↑】	Continuously switch to the previous port
【L_Ctrl】 + 【L_Ctrl】 + 【↓】	Continuously switch to the next port
【L_Ctrl】 + 【L_Ctrl】 + 【S】	<ol style="list-style-type: none"> 1. Auto scan, press [Esc] to exit the auto scan mode. 2. Move the mouse to extend the scan time accordingly 3. The default auto scan time is 5S, the maximum is 30S, press [+] or [-] to increase or decrease by 5S
【L_Ctrl】 + 【L_Ctrl】 + 【Z】	Enable / Disable beep sound

Specifications

Model No.		XW1602
Computer connections	Direct	2
	Max	2
Port emulation	Keyboard, mouse	PS/2, USB
LCD monitor	LCD model	FHD TFT
	View area	15.6 "
	Optimum resolution	1920x1080@60Hz
	Display color	16.2M
	Brightness	250cd/m ² (Typ)
	Contrast ratio	800 : 1 (Typ)
	Pixel pitch(mm)	0.17925(H) x 0.17925(V)
Mouse	X/Y resolution	>1000 points /inch, (40 points/mm)
	Scroll wheel	Supports scroll wheel function
Keyboard	99 keys (82 keys main keyboard +17 independent small numeric keyboard)	
Input power	DC12V /2A	
Power consumption	8W	
Operating temperature	0—50 °C	
Store temperature	-20— 60 °C	
Humidity	0— 80% RH, non-condensing	
Net weight	8.7 kg	
Product dimension (W × D × H)	448mm×360 mm×42.5mm	
Package dimension (W × D × H)	600mm×538mm×160mm	