

# **Rackmount KVM Console (4 Port / 8 Port) User Manual**

[www.kinankvm.com](http://www.kinankvm.com)

@all right reserved Shenzhen Kinan Technology Co., Ltd.

Printing date: 2025/07

Version: V1.0

# Contents

<b>Overview .....</b>	<b>3</b>
Product Description .....	3
Product Features .....	3
Switch Functions .....	3
Front view .....	4
Structure and Size (15.6" ) .....	5
Rack Mounting .....	6
Installation instruction .....	7
<b>Opening the console .....</b>	<b>8</b>
LED Instructions .....	9
LCD OSD Configuration .....	10
<b>OSD Operation .....</b>	<b>11</b>
OSD Functions .....	12
F1: ADM .....	13
F2:Scan .....	16
F3: Set .....	17
F4: Tool .....	19
F6: Edit port names .....	20
F7: Set quick view port(QV) .....	21
F8:LOUT .....	21
<b>Appendix .....</b>	<b>22</b>
Specifications .....	22
FAQ .....	23

## Overview

### Product Description

The KVM console integrates multiple port KVM switches in a 1U height console. Featuring an integrated 15.6" LCD display, full-99 key keyboard and touchpad, all in a 1U rack mountable housing.

It is easy and fast to install the KVM console; you just need to connect corresponding cables to the right ports of KVM without software configuration. This console is designed with two anti-vibration fixing screws on the front panel to prevent the console during transportation and operating.

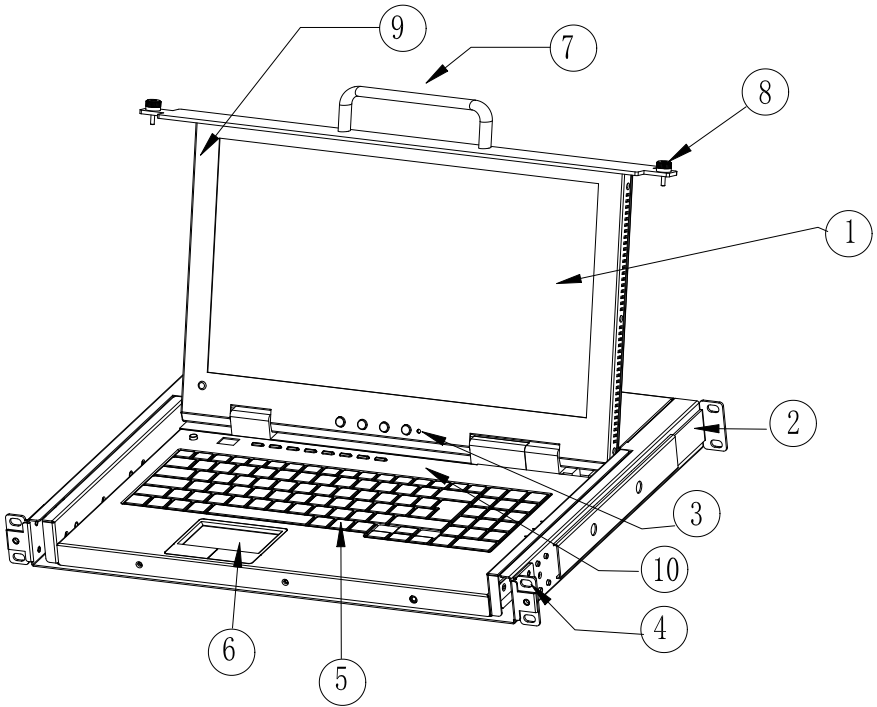
### Product Features

- 15.6" FHD TFT LCD monitor, high brightness, high resolution
- Constructed of heavy-duty steel in a 1U housing
- Short depth: 415.6mm
- Ultra slim 99 keys keyboard with small numeric keyboard
- High resolution and high flexibility with touchpad; with two function buttons and scroll wheel

### Switch Functions

- A single console controls up to 4/8 HDMI computers
- Select computers via push button, hotkey and OSD
- Two level password security--only authorized users view and control computers; up to four users and an administrator with a separate profile for each
- Users can set up different hot keys( **【Scroll Lock】** / **【Caps Lock】** / **【F12】** / **【Ctrl】** ), auto scanning time, port display time, log out time, buzzer on/off and mouse on/off according to their different needs
- Broadcast mode – operations simultaneously performed on all selected computers  
Easily choose servers with mouse
- Multiplatform Support-Compatible with Windows, Sun, Unix and Linux
- Complete keyboard and mouse signal simulation to ensure that the booting and switching are correct
- Auto scan feature for monitoring user-selected computers
- Hot pluggable - add or remove computers without having to power down the switch

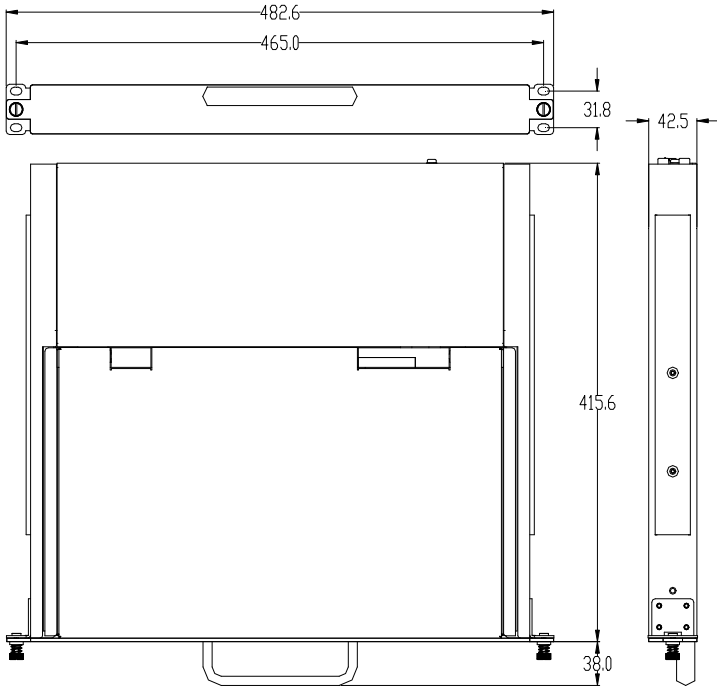
**Front view**



1-1.1 front view

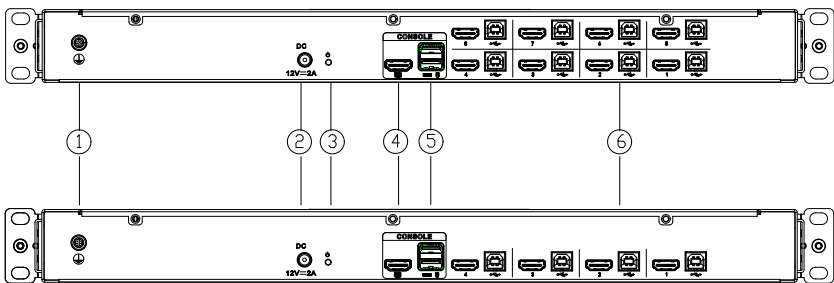
- 1. LCD Display
- 2. Rear Bracket
- 3. LED OSD Controls
- 4. Front Bracket
- 5. Keyboard
- 6. Touchpad
- 7. Handle
- 8. Fixing Screw
- 9. Display panel
- 10. Switch LED

### Structure and Size (15.6")



1-1.2

### Back view



1-1.3

1. Ground connection screw
2. Power input(DC)
3. Power LED indicator

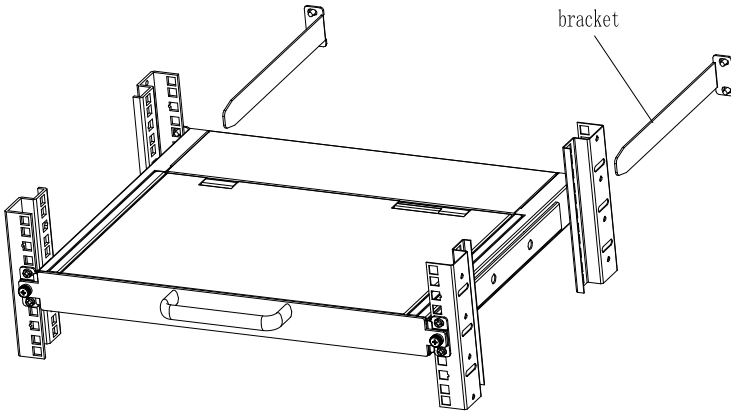
4. HDMI Output
5. USB Port
6. KVM port

## Hardware Installation

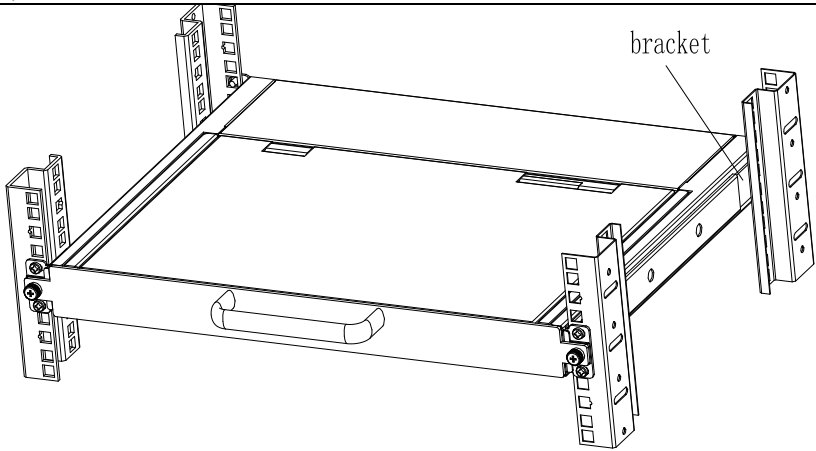
### Rack Mounting

A standard rack mounting kit is provided to mount the LCD console in a depth of 366-700mm in a standard 19" rack. (For other depth, the rear bracket can be customized accordingly, check figure 2-1.1 and 2-1.2)

With one person hold the switch in place and the other person slides the L bracket into the switch's side mounting brackets from the front to the back, then screws the brackets to the rack. (See below installation drawing)



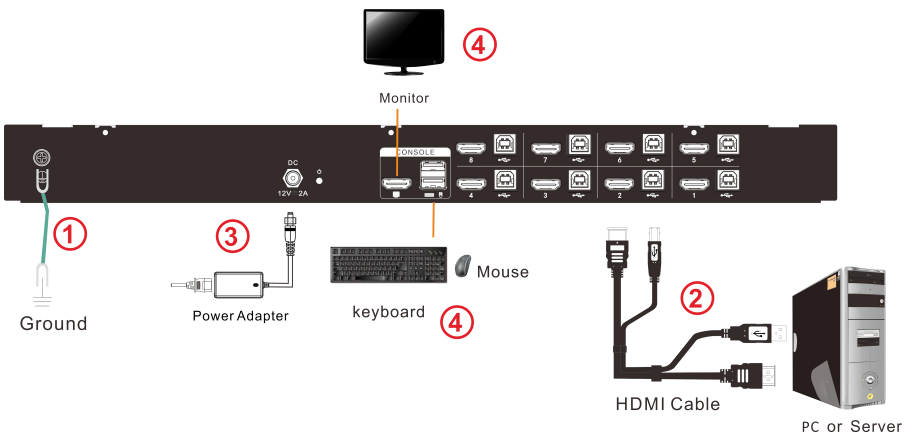
2-1.1 rack mounting (1)



2-1.2 rack mounting (2)

**Installation instruction**

- 1) Make sure the rack mounting KVM switch has been connected to the ground (① in the diagram )
- 2) Connect KVM switch with the computer according to ② in the diagram
- 3) Connect power cable to KVM port as shown in ③ in the diagram
- 4) If extra console required, connect the display port ④ in the diagram. The USB port for keyboard and mouse are in the front of the LCD console.

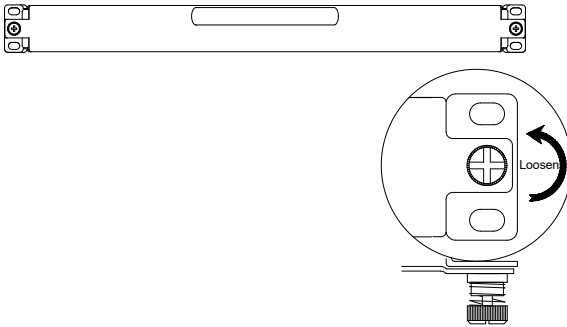


*To ensure signal integrity and simplify cable layout, we strongly recommend you using high*

quality cables with different length.

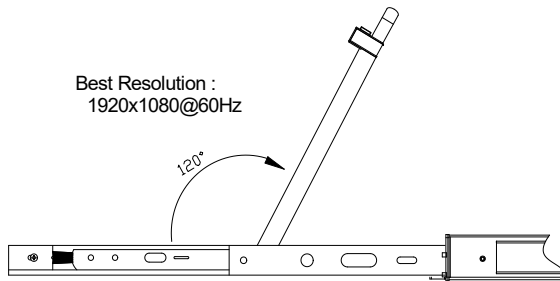
## Opening the console

- Pull it out, and the rails will be locked automatically;
- Release the front panel screw



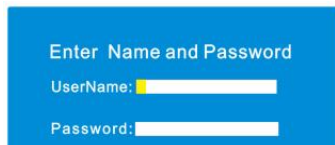
### 2-2.1 unlocking

- Rotate the LCD module all the way back to expose the LCD screen, the LCD module can be rotated up to 125°. (Recommend to 120°.)



### 2-2.2 rotate angle of the console

- The KVM makes two “beep” sounds and the LED flashes four times after power on. The LED shows 01 and a screen similar to the below pops up for you to enter the user name and password.



### 2-2.3 password window

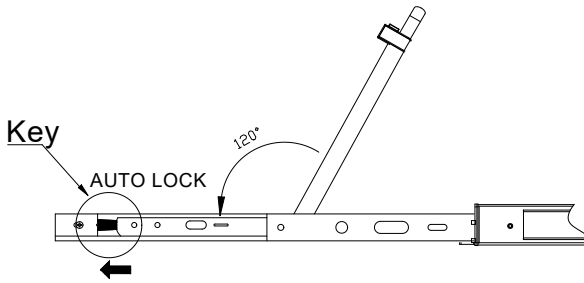
- LCD panel is powered on when the power LED is green.
- Power on computer or server after power on KVM and you will see green light at each port.
- The factory default password is blank, it will be OK after double click “Enter”.

**NOTE: The username and password are no more than 16 characters, Press and hold the Shift key to type lowercase letters.**

*Please contact the manufacturer for support if the KVM is locked.*

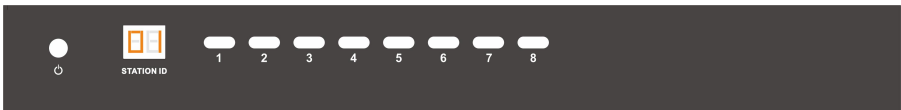
### Closing the console

- Close the LCD display panel and the power automatically shut down.
- Push the release catch in the direction of the arrow, push the LCD panel all the way in until it automatically lock up.



2-2.4 open angle of the console

### LED Instructions

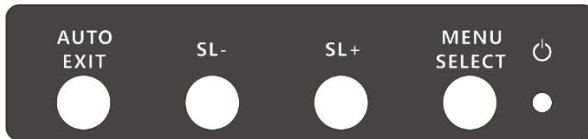


3-1.1 front view

No.	Components	Function
1	1-8	Switching freely from port 1 to port 8
2	Port Selection Buttons& LEDs	Indicator LEDs are built into the switches, the online LED light is on the left and the selected LED light is on the right. 1) An online LED light(green) indicates that the KVM has connected to its corresponding computer and power on. 2) A selected LED light(orange) indicates that the computer attached to its corresponding port is up and running.
3	Station ID	Display the current port
4	Power Button	Power automatically off, when display closed

Table1.2 LED in

## LCD OSD Configuration



The LCD OSD allows you to set up and configure the LCD display.


Buttons	Functions
MENU SELECT	Press this button invokes the menu function and brings up the main menu.
EXIT/AUTO	Press this button exits the current menu and return to the previous menu or press this button exits the LCD OSD. Press AUTO for automatic configuration.
SL-/SL+	Press this button moves your menu to make corresponding adjustment.
 LED state	Green :running Red :power off or access nonstandard VESA signal Green Flash: energy saving mode or no signal

Table 1.3 LED OSD configuration instruction

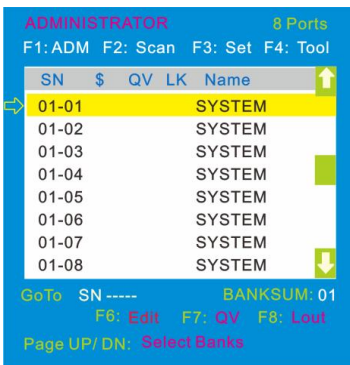
Press AUTO if the screen migrates after power on or under other circumstances, then the

screen auto configure to its best display state.(It might can't be adjusted to its best state if part of the display mode is not standard VESA mode, if so return back to OSD menu to RESET, then it will back to normal.

We suggest our customers to set up the display mode at 1920x1080, refresh rate at 60Hz.

## OSD Operation

Double click the right buttons of the mouse or double click hotkey 【Scroll Lock】 to invoke below OSD main menu. You can customize the OSD hotkeys, find more details in OSD function instructions.



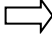
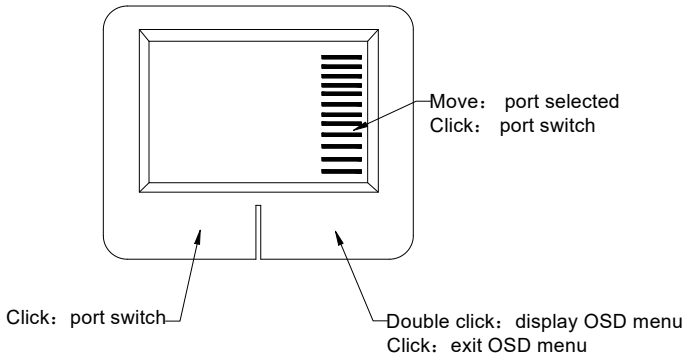
Headings	Explanation
SN	Port number
	It shows the computer port is under monitoring.
\$	The computers are power on and are online
QV	"#" : quick view the port "BC" : Broadcast port
LK	"@" shows that the port is only available for viewing
Name	Port name, the maximum is 12 bytes

Table 1.4: OSD interface

To access the OSD menu through keyboard:

1. In the submenus that appear, moving the highlight bar to your selected port and then press Enter.
2. Press any key from 【1-8】 to enter any port of current station

To access the OSD menu through keyboard:



\*Note: Operate via keyboard after invoke the OSD menu via the touchpad.

### OSD Functions

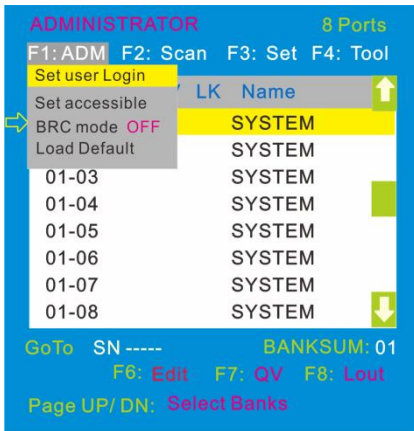
Menus	Keys	Submenu/explanation
ADM	F1	Set User login: account and password Set accessible: Set access permissions BRC Mode: monitor multiple computers at the same time Load Default: reset the menu to the original factory default settings
Scan	F2	All : Lists all the ports on the installation Power On: lists only powered on ports that have attached computers. Quick View: Lists only the ports that have been selected as Quick View ports
Set	F3	Auto Scan: set scanning time period Port ID: set how long a port displays on the monitor OSD Hotkey: set OSD hotkeys Lout Time off: to set the time out value
Tool	F4	Reset KM: press Enter resets keyboard and touchpad Beeper <b>【On】</b> : press Enter switch Bee sounds Mouse Hot <b>【On】</b> : press Enter to shut down touchpad operating on OSD. Restore Values: press Enter restore the current user default value. About KVM: press Enter shows the KVM version

Edit	F6	Edits port names
QV	F7	Start or close Quick View
Lout	F8	Log out/blank the console screen
Exit	Esc	Press this key exits OSD menu
	Scroll Lock	Press this key exits OSD menu
	Num Lock	Press this key exits OSD menu

Table 1.5

## F1: ADM

### ● Menu overview



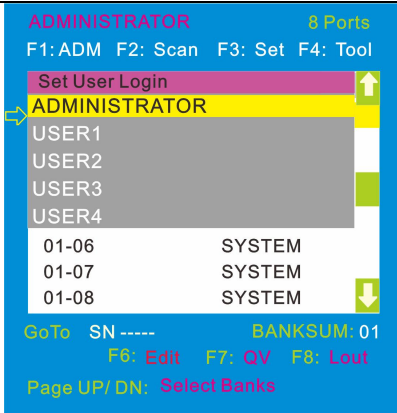
### Operating instructions

- 1) Press **【F1】** or **【←】** **【→】** enters the F1 submenus.
- 2) Press **【↑】** **【↓】** moves the highlight bar to select the submenu.
- 3) Press **【Enter】** selects and exits ADM menu.
- 4) Press **【Esc】** cancels the operation and exits ADM menu.

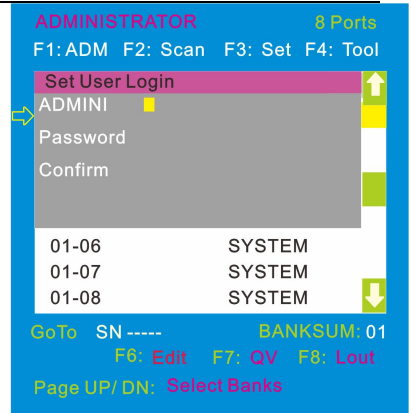
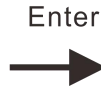
### ● Menu explanation

1. Set User Login—Press [Enter] and select Set User Login, a screen as below diagram 4-1.1 appears:

One administrator and four users account can be set (*The username and password are no more than 16 characters, Press and hold the Shift key to type lowercase letters.*)



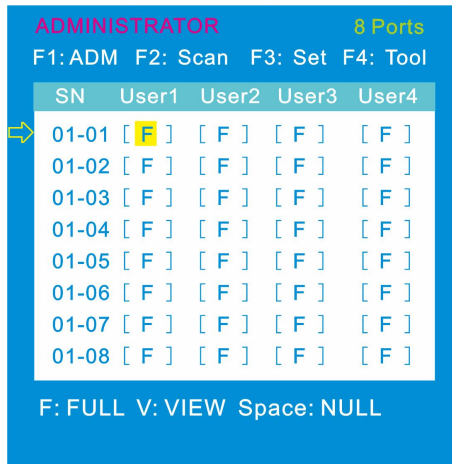
4-1.1



4-1.2

Note: You can set up an account and password according to diagram 4-1.2, then a “User setup ok” pops up showing you have done your set, and “Password Not Match” pops up, you need to type in your password again as you did in your first type.

2. Set accessible—press [Enter] and select Set Access Permission, then below menu appears: (diagram 4-1.3):

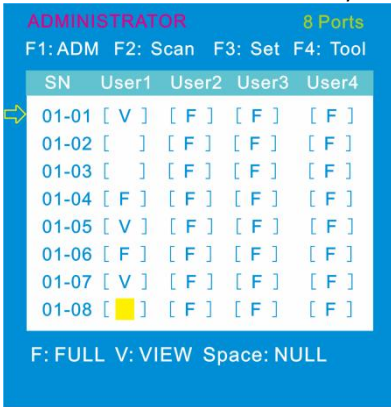


4-1.3

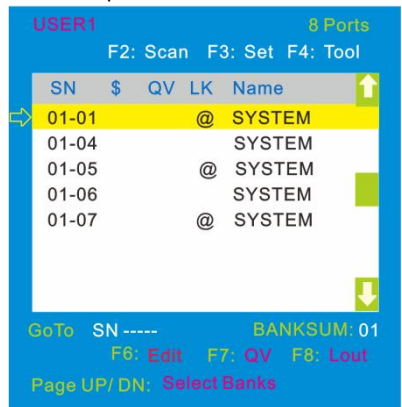
Menu	Explanation
FULL	Full access function to the station and can do any operation to the ports
VIEW	View only function, you can only view the port but you can't operate it if set this function.

NULL	If you set this function, the port will be not displayed on the user's OSD menu
------	---

Note: The administrator always has full access to all the ports.



4-1.4



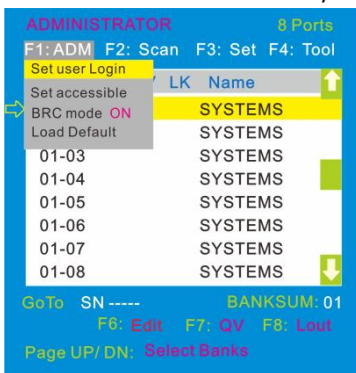
4-1.5

Eg.1). If you want to set access permission of [User1], press **Space** to choose the permission options you need to set.

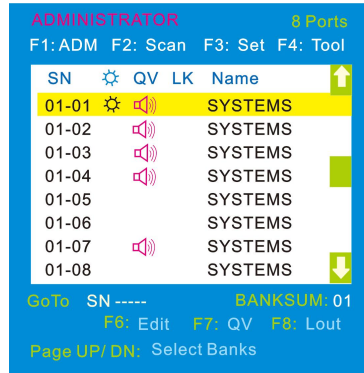
2). [User1] log in OSD menu, as shown in diagram 4-1.5.

3. BRC Mode - Press **Enter** to enter the BRC mode. Enter the main menu, press **F7** to add or remove a port that need broadcast function. When BRC mode is effect, a speaker symbol appears in QV column. (See below diagrams).

While BRC mode is in effect, we can operate multiple computer ports simultaneously, but the mouse is not function normally.



4-1.6



4-1.7

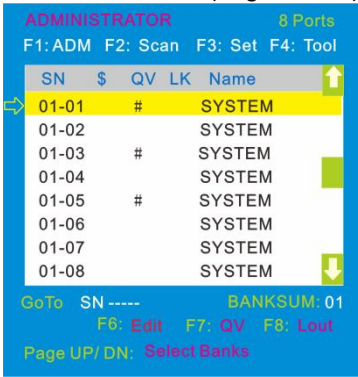
- 1) Open BRC mode  
**F1** ->BRC Mode OFF->press **Enter** --> BRC Mode ON (see diagram 4-1.6)
- 2) Open the port that need broadcast function  
Press **Up** **Down** key-->select the port that need broadcast function ->press **F7** ->a speaker symbol appears in the QV column which shows the port has entered broadcast mode.

3) Close the broadcasting port

Press **【↑】****【↓】**key→select the port→press**【F7】**→exit BRC mode and the speaker symbol disappears

4) Exit BRC mode

Invoke OSD main menu → **【F1】**->BRC Mode ON ->press **【Enter】** --> BRC Mode OFF, the KVM exits BRC mode(diagram 4-1.8)



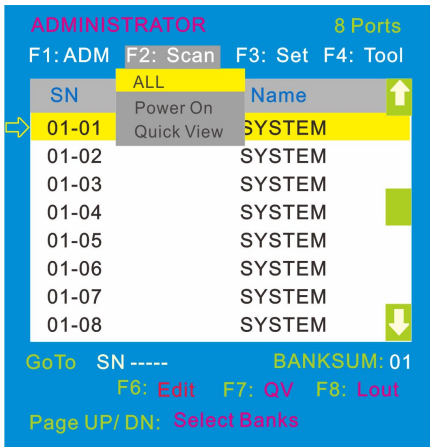
Press F1->BRC Mode OFF ->press **【Enter】** enter the main menu, all symbols turn into speaker symbol (diagram 4-1.8)

4-1.8

4. Load Default--- press **【Enter】** and select Load Default, all the set values are restore to original factory default settings.

**F2:Scan**

● **Menu overview**



Operating instructions

- 1) Press **【F2】** or **【←】** **【→】** enters the F2 submenu.
- 2) Press **【↑】** **【↓】** moves the highlight bar to select the submenu.
- 3) Press **【Enter】** selects and exits Scan menu.
- 4) Press **【Esc】** cancels the operation and exits Scan menu.

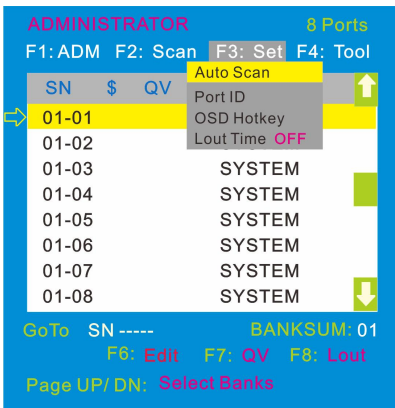
● **Menu explanation**

Submenu	Explanation
---------	-------------

All	Use this function to scan all ports according to the set scanning interval.
Power On	Use this function to scan all ports with“\$” according to the set scanning interval.
Quick View	Use this function to scan all ports with “#” quick view symbols according to the set scanning interval.

### F3: Set

- Menu overview




#### Operating instructions

- 1) Press **【F3】** or **【←】 【→】** enters the F3 submenus.
- 2) Press **【↑】 【↓】** moves the highlight bar to select the submenu.
- 3) Press **【Enter】** selects and exits Set menu.
- 4) Press **【Esc】** cancels the operation and exits Set menu.

- Menu explanation

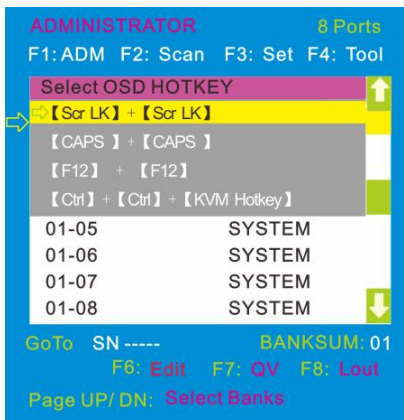
Submenu	Default value
Auto Scan	5S (effective range 5-99)

<p>Port ID</p>	<p>0S: not display the port ID                  1-98S: display the seconds, maximum 98s                  99S: permanent display</p>
<p>OSD Hotkey</p>	<p><b>【 Scroll Lock 】 + 【 Scroll Lock 】</b>  <b>【 CapsLock 】 + 【 CapsLock 】</b>  <b>【 F12 】 + 【 F12 】</b>  <b>【 Ctrl 】 + 【 Ctrl 】 + 【 KVM Hotkey 】</b></p>
<p>Lout Time off</p>	<p>0: close the screen saver setting                  01-99M: set the screen saver timeout                  Note:It is automatically log out if the current operator is no longer operate for a while, then the KVM will be locked and you need to enter user name and password to operate again:</p> 

## OSD Hotkey Operation

### Operating instruction

1. Press **【 F3 】** and move the highlight bar with **【 ↓ 】** to select “OSD Hotkey” submenu . Press **【 Enter 】** and below screen appears:
2. KVM default hotkey: **【 Scroll Lock 】**



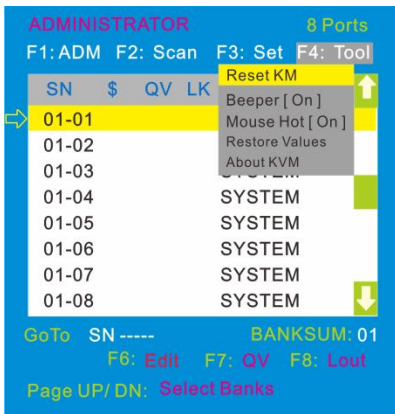
2. Select the “**【Ctrl】 【Ctrl】 + 【KVM Hotkey】**” and press **【Enter】**, and then the **【Ctrl】** hotkey is available in this hotkey mode, the mouse hotkey can't enter the OSD menu

Invoke hotkey: double click **【L\_Ctrl】** + the corresponding function key

Function	Operating	Function description
Switching port	+ 1~8	Skip ports from 1~8, Eg.: Double click <b>【L_Ctrl】</b> plus 2 to skip to the second port of the current station.
	+ ↑/↓	Skip to previous/next port
Auto scanning	+ S	1. Auto Scan automatically scan ports that attached PC or server. Users can set the scan duration in OSD menu and press any key to exit scanning mode. 2. Move the mouse to extend scan interval.
Invoke OSD main menu	+ “space key”	This allows you to invoke OSD main menu (see OSD menu operation)

#### F4: Tool

- Menu overview



#### Operating instructions

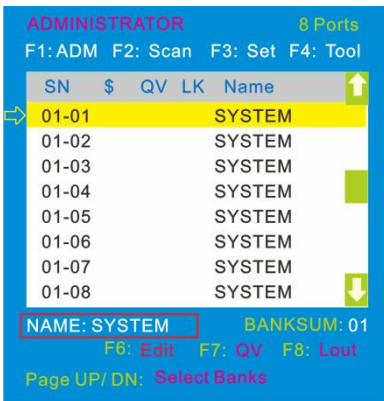
- 1) Press **【F4】** or **【←】 【→】** enters the F4 submenus.
- 2) Press **【↑】 【↓】** moves the highlight bar to select the submenu.
- 3) Press **【Enter】** selects and exits Tool menu.
- 4) Press **【Esc】** cancels the operation and exits Tool menu.

- Menu explanation

Submenu	Instruction
---------	-------------

Reset KM	Initialize the keyboard and mouse that connected to KVM when they are break down.
Beeper <b>【On】</b>	The beeper can be turned on or off with this function.
Mouse Hot <b>【On】</b>	To open and close the mouse with this function. We can't operate the OSD when it is <b>【Off】</b> .
Restore Values	Restore to original factory default values.
About KVM	It shows the KVM version information.

## F6: Edit port names



- Select the port with **【↑】** **【↓】** key;
- Press F6 and key in the new name or modify the old one, then press Enter to save the name and exit editing.
- Press **【Esc】** to cancel and exit the editing.

### Note:

The NAME characters include:

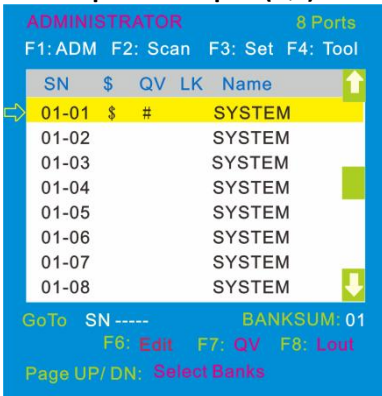
All alpha characters: A-Z

Press and hold the Shift key to type lowercase letters

All numeric characters: 0-9

Default value: SYSTEM

### F7: Set quick view port(QV)



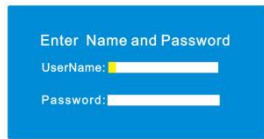
- Select ports with **【↑】** **【↓】** keys;
- Press **【F7】** to include current port as Quick View, then an arrowhead appears in the QV column to indicate so.

Note:

Press **【F7】** to cancel the QV symbol is the current port has already have a QV arrowhead symbol in its QV column; if you want to cancel all the QV function, press Restore Values under F4:Tool .( The port name restores to default setting at the same time.)

### F8:LOUT

- Press **【F8】** exits the OSD main menu and fully exits current port, then the log in window appears:



- Users must log in all over again to regain access to the OSD.

### Setting OSD default values

Settings	Default values
OSD hotkey	<b>【Scroll Lock】</b> <b>【Scroll Lock】</b>
Original user name	<b>【Enter】</b>
Original password	<b>【Enter】</b>
Port display duration	0 seconds
Port display mode	Port No.+port name
Port name	SYSTEM
Scan duration	5 seconds
Scan mode	All

Auto log out

【Esc】

## Operating system

### Support operating system:

Operating system		Version
Windows		2000 or higher
Linux	RedHat	6.0 or higher
	SuSE	8.2 or higher
	Mandriva(Mandrake)	9.0 or higher
UNIX	AIX	4.3 or higher
	FreeBSD	3.51 or higher
	Sun	Solais8 or higher
Nove11	Netware	5.0 or higher
Mac		8.6 or higher
DOS		6.2 or higher

## Appendix

### Specifications

Model		LH1604	LH1608
Computer connections	Direct	4	8
	Max	4	8
Port emulation	Keyboard, mouse	USB	
LCD monitor	LCD model	FHD TFT	
	View area	15.6 "	
	Optimum resolution	1920*1080@60Hz	
	Display color	16.2M	

	Brightness	250cd/m <sup>2</sup> ( Typ )	
	Contrast ratio	800 : 1 ( Typ )	
	Pixel pitch(mm)	0.17925(H) × 0.17925(V)	
Mouse	X/Y resolution	>1000 points /inch,( 40 points/mm )	
	Scroll wheel	Supports scroll wheel function	
Keyboard	99 keys (82 keys main keyboard +17 independent small numeric keyboard)		
Port selection	Pushbuttons, hotkeys, OSD menu		
Input power	DC12V /2A		
Mounting distance	450-700mm ( L=420mm) 366-520mm( L=235mm) Mounting bracket can be customized for other mounting distance		
Power consumption	12W	13W	
Operating temperature	0—50 °C		
Store temperature	-20—60 °C		
Humidity	0—80% RH, non-condensing		
Net weight	9.4kg	9.5kg	
Product dimension (W × D × H)	448mm×415.6 mm×42.5mm		
Package dimension (W × D × H)	600 mm ×538 mm×160mm		

## FAQ

1. The KVM console do not work when I connect and use the console for the first time.

Solutions:

Please re-connect the KVM console according to below steps:

- 1) Disconnect all the signal and power cables connected to KVM.
- 2) Then power on KVM and you hear the boot indicating sound from the beeper, a screen automatically pop up for you to enter the user name and password.
- 3) Type in the correct user name and password, the original password is clicking Enter twice, then the OSD main menu pop up on the screen.
- 4) Check the KVM console and make sure it can normally switch ports.
- 5) Connect one server (PC) to one of the KVM ports with signal cable and check port switching function, check the keyboard and mouse, if they are not working, try to re-start the server (PC).
- 6) After successfully finishing all above steps, gradually add server (PC) to this console until meet your need.

2. There is no pop up window to type in user name and password or the pop up window is not normally displayed.

Solutions:

- 1) Check the DC output.
- 2) Make sure you have heard the indicating sound and the keyboard LED is on after starting up the computer.
- 3) Check the LED power and make sure the LED signal cable has connected to the KVM console.

3. I can't log in the KVM system after starting computer.

Solutions:

- 1) Make sure the KVM keyboard is working, the user name and password is correct. The default value is blank, you can log in after press Enter.
- 2) If you still can't log in the system, try to connect an external USB keyboard.( The original default value is blank, you can log in after double clicking Enter )

4. I can't switch from one port to another after logging in the KVM system.

Solutions:

- 1) Invoke the OSD main menu and check the user name on the top left, make sure the user has got the access permission from the administrator.
- 2) Please contact the distributor or the KVM manufacturer.

5. Bad display quality of PC screen.

Solutions:

- 1) Check the signal cables, make sure they are connected.
- 2) Reset the monitor's display settings.

6. When I switch to one port, the keyboard and mouse do not work.

Solutions:

- 1) Make sure you have exited the OSD menu.
- 2) Invoke the OSD main menu and check the user name on the top left, make sure the user has got the access permission from the administrator.
- 3) Pull out the USB port of the server (PC) then plug in.

7. I can't invoke the OSD main menu.

Solutions:

- 1) Check the keyboard to make sure it is working.
- 2) Double click **【Scroll\_Lock】** .
- 3) Double click **【F12】**
- 4) Double click **【Caps Lock】**
- 5) Double click **【Ctrl】 + 【Space】**

