

HDMI KVM Switch

(4 Port / 8 Port / 16 Port)

User Manual

www.kinankvm.com

@all right reserved Shenzhen Kinan Technology Co., Ltd.

Printing date: 2025/09

Version: V1.4

Overview

Descriptions

HDMI switch is a control device which controls multiple computers from a single console (keyboard, video and mouse). It is easy and fast to install the KVM switch, you just need to connect corresponding cables to the right ports of the KVM. Since the KVM directly get the signal input from the keyboard and mouse, there is no software setup or other complex installation, so no worry about compatibility

Features

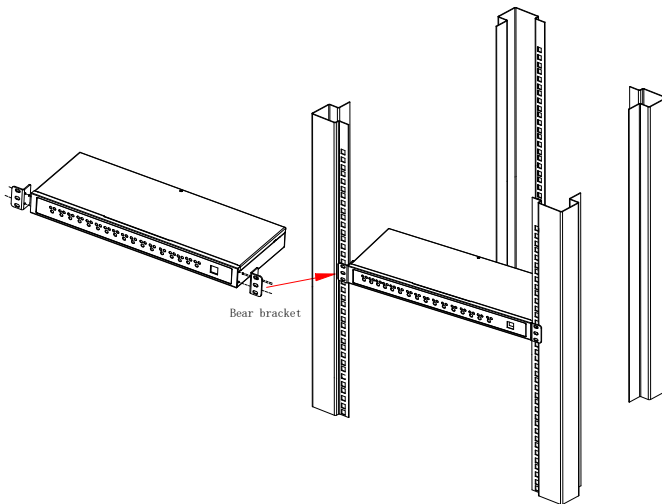
- Control 4/ 8 / 16 pcs HDMI computers from a single console
- Fit for standard 19" rack mounting
- Fully complied with HDCP
- Multi-platform Support-Compatible with Windows, Sun, Unix and Linux
- Support wireless keyboard and mouse from different suppliers
- Convenient computer switching via front panel pushbuttons, hotkeys, or mouse
- Complete keyboard & mouse emulation for error-free booting.
- Auto scan feature for monitoring user-selected computers
- Broadcast mode – operations simultaneously performed on all selected computers
- Support hot-plugging

Hardware Installation

Rack Mounting

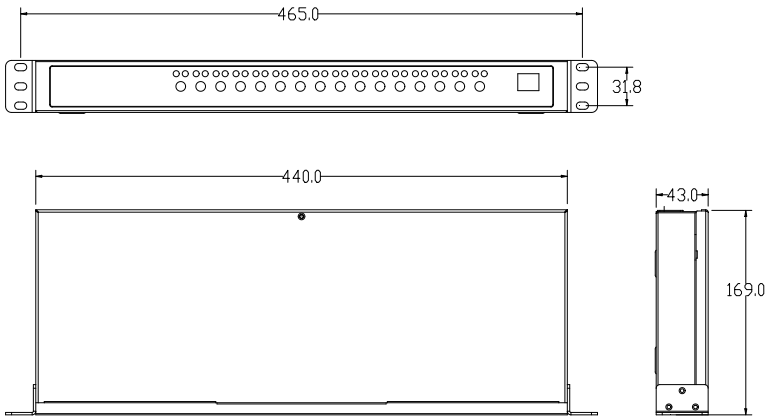
Make sure all the computers and external device are shut down before installation.

Put the KVM switch in place, screw the brackets to the two sides of the KVM to install the KVM in the standard 19" rack. Pay attention to the cable length, to keep a certain distance between the KVM and the computer.

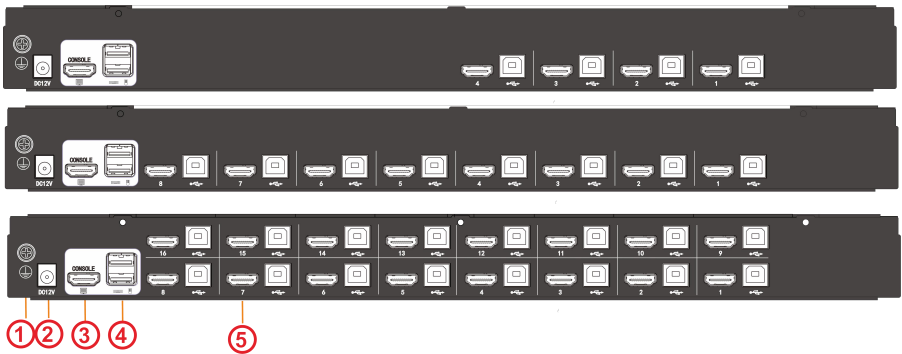


earance

App



Rear View

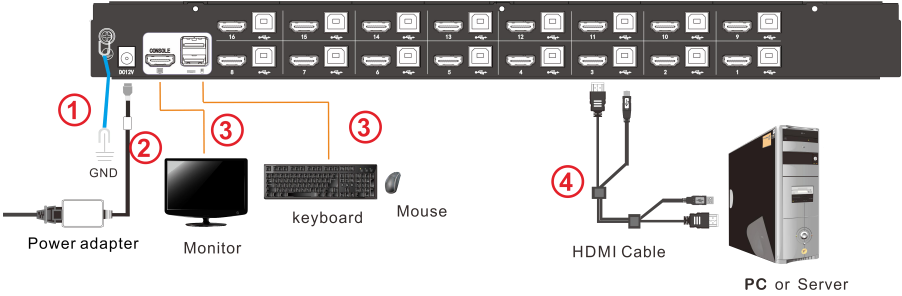


No.	Instruction
1	Grounded Screw
2	Power adapter socket
3	Console HDMI port
4	Console USB port (keyboard, Mouse)
5	KVM Port

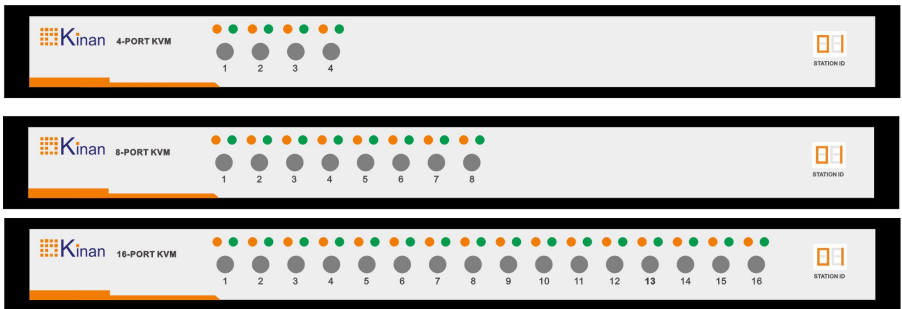
Installation Diagram

- Make sure the KVM has been connected to the ground(①)
- Connect the power adapter to KVM(②)

- Connect Screen, keyboard, mouse to local CONSOLE(③)
- Connect PC and KVM with HDMI cable(④)
- Power on the pc and switch to start to use it



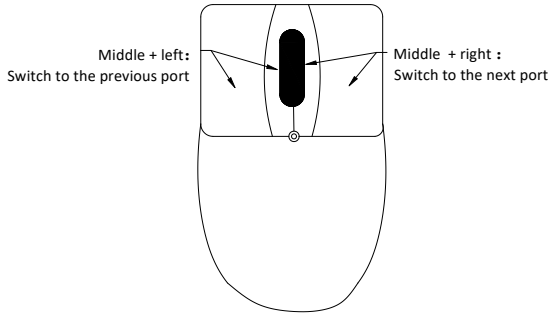
LED Instructions



No.	Components	Function
1	1-4 1-8 1-16	Switching freely from port 1 to port4/ 8/16
2	Port Selection Buttons& LEDs	1) An online LED light(orange) indicates that the KVM has connected to its corresponding computer and power on. 2)A selected LED light(green) indicates that the computer attached to its corresponding port is up and running.
3	Port ID	It shows the current Port

Mouse Switching

1. Click the mouse [middle button] and [left button] to switch the previous (↑) port.
2. Click the mouse [middle button] and [right button] to switch to the next (↓) port



Hotkey Operation

Double click **【 Scroll Lock 】** (in 2 seconds) , when you heard the beep sound, you are in hotkey mode. If there are no any operations in Hotkey Mode in 2 second, keyboard out hotkey mouse.

Hotkey commands are as follows:

Double click **【 Scroll Lock 】** + the corresponding function key

Operating	Function description
【 Scroll-Lock 】 + 【 Scroll-Lock 】 + 【 1~8 】	Switch from port 1- 8
【 Scroll-Lock 】 + 【 Scroll-Lock 】 + 【 F1-F8 】	Switch from port 9 – 16
【 Scroll-Lock 】 + 【 Scroll-Lock 】 + 【 ↑ / ↓ 】	Switch to previous or next port
【 Scroll-Lock 】 + 【 Scroll-Lock 】 + 【 S 】	Scan all ports automatically (default interval: 5s) 1. Press 【 + 】 add 5s (Max: 30S) 2. Press 【 - 】 reduce 5s (Min: 5S) 3. Move mouse to extend the scan time 4. Press 【 Esc 】 to exit auto scan
【 Scroll-Lock 】 + 【 Scroll-Lock 】 + 【 Z 】	On/Off Beeper

【Scroll-Lock】 + 【Scroll-Lock】 + 【M】	On/Off mouse switch function
【Scroll-Lock】 + 【Scroll-Lock】 + 【B】	Under broadcast mode, the computer keyboard and mouse can be operated synchronously.
【Scroll-Lock】 + 【Scroll-Lock】 + 【F】	Default hotkey mode: 【Scroll Lock】 Hotkey cycling mode: 【L_Ctrl】 --> 【Caps Lock】 --> 【F12】 --> 【Scroll Lock】
【Scroll-Lock】 + 【Scroll-Lock】 + 【R】	Restore to the original factory setting

Specification

Mode		RHD104	RHD108	RHD116	
Direct Computer Connection		4	8	16	
Max Computer Connection		4	8	16	
Port Selection		Pushbutton, Hotkey			
Connector	Console	Monitor Keyboard Mouse	1 * HDMI Type A 2 * USB type A		
	KVM	HDMI Type A	4	8	16
		USB Type B	4	8	16
Switch	Port Selection (buttons)		4	8	16
LEDs	Online (orange)		4	8	16
	Selected(green)		4	8	16
	Port Display		2*7- Segment (orange)		
I/R Value		DC12V/2A			
Resolution		1920*1080@60Hz			
Consumption		4W	5W	7W	

Emulation	Keyboard/Mouse	USB		
Environment	Operating	0-50°C		
	Storage	-20-60°C		
	Humidity	0-80%RH, Non-condensing		
Physical Features	Material	Metal		
	Weight	2.0kg	2.0kg	2.2kg
	Dimension	440*169*43mm		