

18.5" 8/18 Port DVI LCD KVM Switch

(LD1808/LD1816)



www.kinankvm.com

@All right reserved Shenzhen Kinan Technology Co., Ltd.

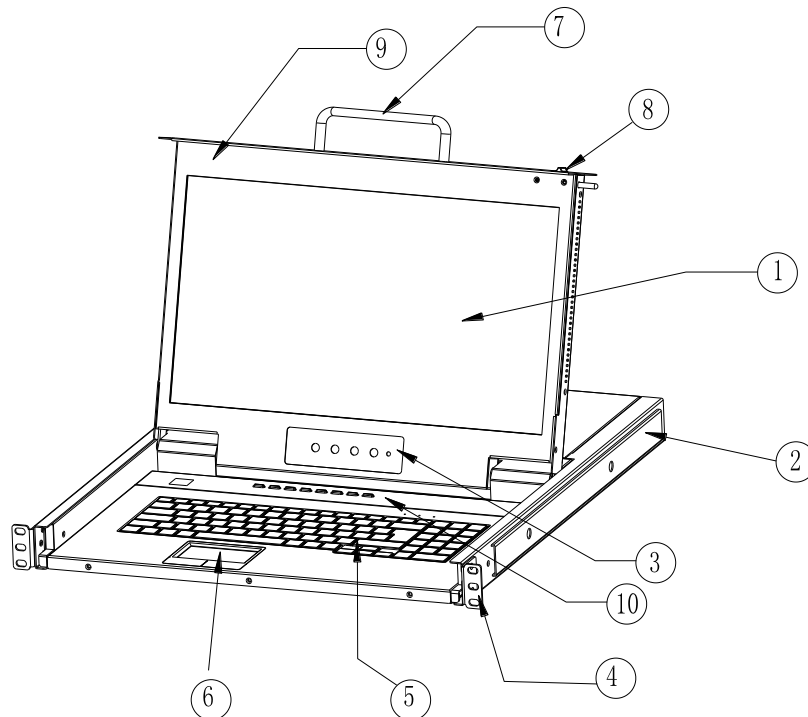
Date: 2025/2

Version: V 1.0

Overview

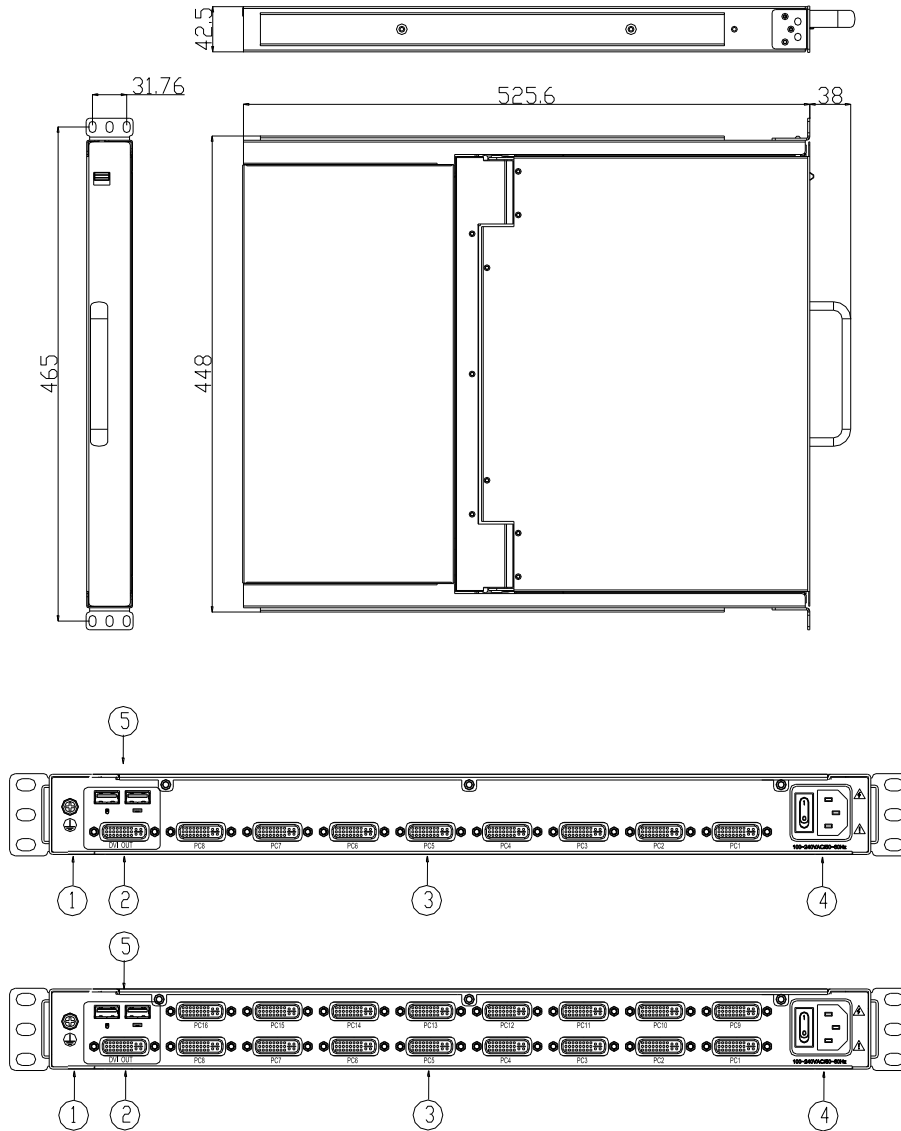
The LD1808/1816 DVI KVM switch integrates an 18.5" monitor, a keyboard, and a touchpad in a 1U height unit. It allows users to control 8/16 computers from a single console. Thus saves much cost and space to separately equip keyboard, mouse and monitor for every computer. The high resolution it supports is up to 1920 x 1080@60Hz.

It is easy and fast to install the KVM console, you just need to connect corresponding cables to the right ports of KVM and its module without software configuration. The KVM switch supports multiple hardware platform and multiple operating system.



| | |
|----------------------|------------------|
| 1. LED Module | 6. Touchpad |
| 2. Rear Bracket Slot | 7. Handle |
| 3. LED OSD Controls | 8. Release Catch |
| 4. Front Bracket | 9. Display panel |
| 5. Keyboard | 10. Switch LED |

Structure



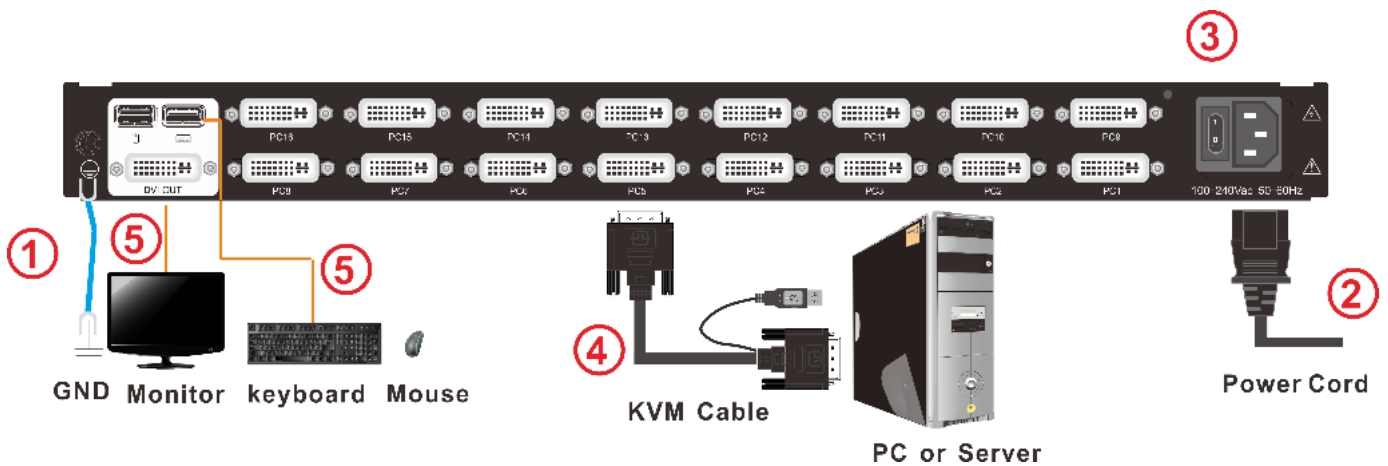
| | |
|----------------------------|---------------------|
| 1. Ground connection screw | 4. Power input (AC) |
| 2. DVI Output | 5. USB port |
| 3. KVM port | 6. / |

Features

- 18.5" LED TFT monitor, high brightness, high resolution
- 1U height, suitable height for standard 19" rack mount, metal structure.
- Ultra slim 99 keys US keyboard with small numeric keyboard.
- High resolution and high flexibility with touchpad with two function buttons and scroll wheel.
- A single console controls up to 8/16 DVI computers
- Select computers via push button, hotkey and OSD

- Two level password security--only authorized users view and control computers; up to four users and an administrator with a separate profile for each
- Users can set up different hot keys(【Scroll Lock】 / 【Caps Lock】 / 【F12】 / 【Ctrl】), auto scanning time, port display time, log out time, buzzer on/off and mouse on/off according to their different needs
- Broadcast mode – operations simultaneously performed on all selected computers Easily choose servers with mouse
- Multiplatform Support-Compatible with Windows, Sun, Unix and Linux
- Complete keyboard and mouse signal simulation to ensure that the booting and switching are correct
- Auto scan feature for monitoring user-selected computers
- Hot pluggable - add or remove computers without having to power down the switch

Connection Diagram



Specifications

| Function | | LD1808 | LD1816 |
|-------------------------------|--------------------|--|--------|
| Computer connections | Direct | 8 | 16 |
| | Max | 8 | 16 |
| Port emulation | Keyboard, mouse | USB | |
| LED monitor | LED model | FHD TFT | |
| | View area | 18.47" | |
| | Optimum resolution | 1920×1080@60Hz | |
| | Display color | 16.7 M | |
| | Brightness | 250cd/m ² (T y p) | |
| | Contrast ratio | 1000: 1(T y p) | |
| Mouse | Pixel pitch(mm) | 0.213(H) × 0.213(W) | |
| | X/Y resolution | >1000 points /inch, (40 points/mm) | |
| | Roll wheel | Supports scroll wheel function | |
| Keyboard | | 99 keys (82 keys main keyboard +17 independent small numeric keyboard) | |
| Port selection | | pushbuttons, hotkeys, OSD menu | |
| Input power | | 100V- 240Vac, 50-60Hz, <1.5A | |
| Power consumption | | 28W | 30W |
| Mounting distance | | 686-770mm (L=262mm) Mounting bracket can be customized for other mounting distance | |
| Operating temperature | | 0—50 °C | |
| Store temperature | | -20—60 °C | |
| Humidity | | 0—80% RH, non-condensing | |
| Net weight | | 11.8kg | 12kg |
| Product dimension (W × D × H) | | 448mm×560mm×42.5mm | |
| Package dimension (W × D × H) | | 765mm×615mm×185mm | |