

1U Short Depth Rack Mount 15.6"LCD KVM Console

User Manual

@all right reserved Shenzhen Kinan Technology Co., Ltd

Print date: 2024/ 10

Version: V1.0

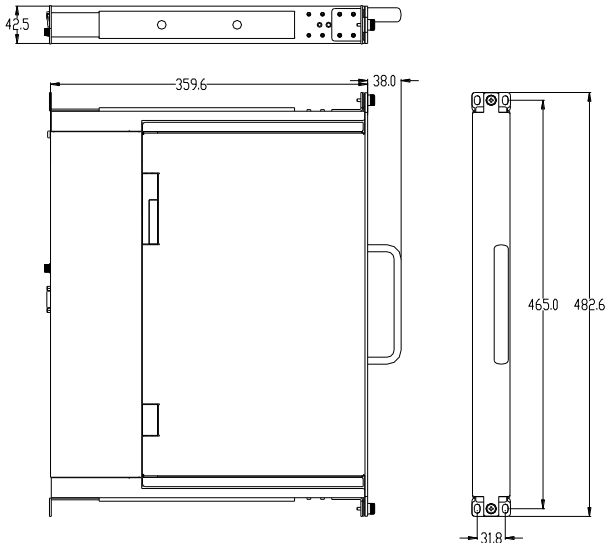
Overview

The LH1601 1U rackmount console is the ideal solution for ETC specialized rack, 5G rack, network specialized rack and standard server rack. Featuring an integrated 15.6" LCD display, full-99 key keyboard and touchpad, all in a 1U rack-mountable housing, it supports the shortest mounting depth: 360mm. This console is designed with two anti-vibration fixing screws on the front panel to prevent the console during transportation and operating.

Features

- 15.6" FHD LCD display, 99-key keyboard, touchpad
- Rack-mountable in 1U system rack
- Short depth: 360mm
- Auto USB interface detection
- High resolution and high flexibility with touchpad; with two function buttons and scroll wheel
- Resolution is up to 1920 x 1080@60Hz
- Constructed of heavy-duty steel in a 1U housing
- Energy-saving LCD display, the screen automatically shut down when closing the LCD monitor.

Appearance



Front view(As shown in figure 1-1)

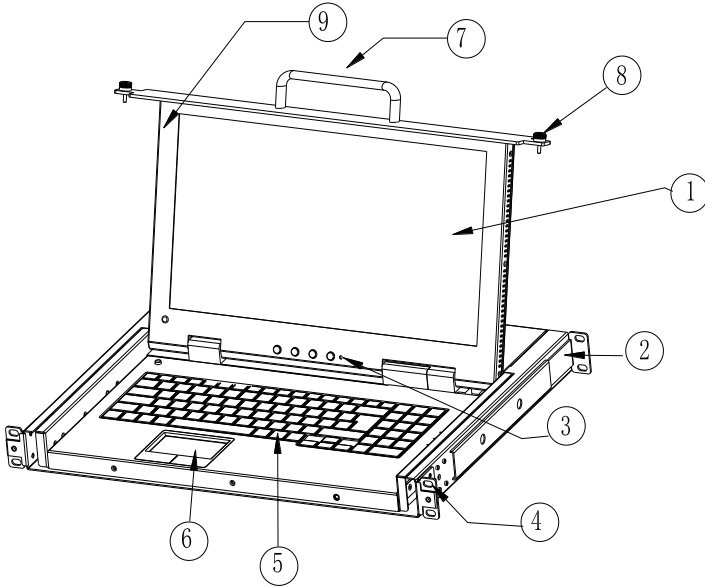
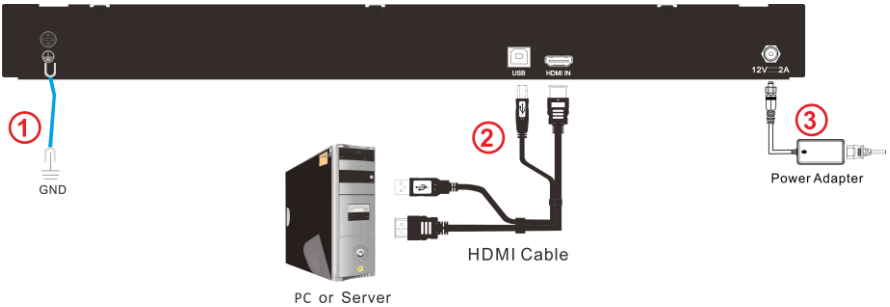


Figure 1-1.1

- 1. LCD Display
- 2. Rear Bracket
- 3. LED OSD Controls
- 4. Front Bracket
- 5. Keyboard
- 6. Touchpad
- 7. Handle
- 8. Fixing Screw
- 9. Display panel

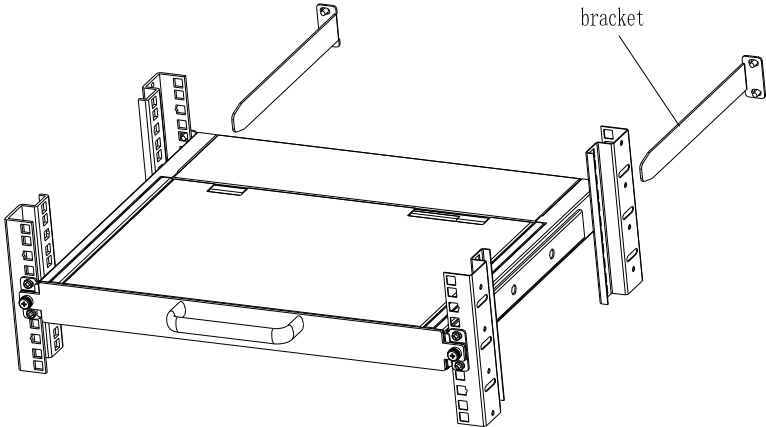
Connection Diagram



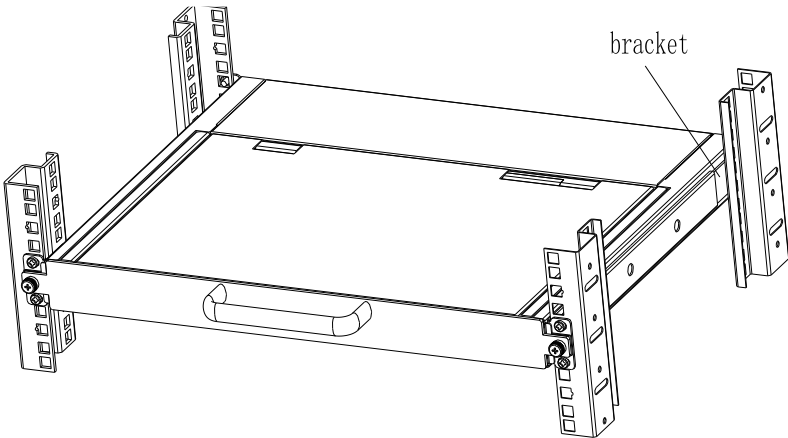
Rack Mounting

A standard rack mounting kit is provided to mount the LCD console in a depth of 266-400mm in a standard 19" rack. (For other depth, the rear bracket can be customized accordingly, check figure 2-1.1 and 2-1.2)

With one person hold the switch in place and the other person slides the L bracket into the switch's side mounting brackets from the front to the back, then screws the brackets to the rack. (See below installation drawing)

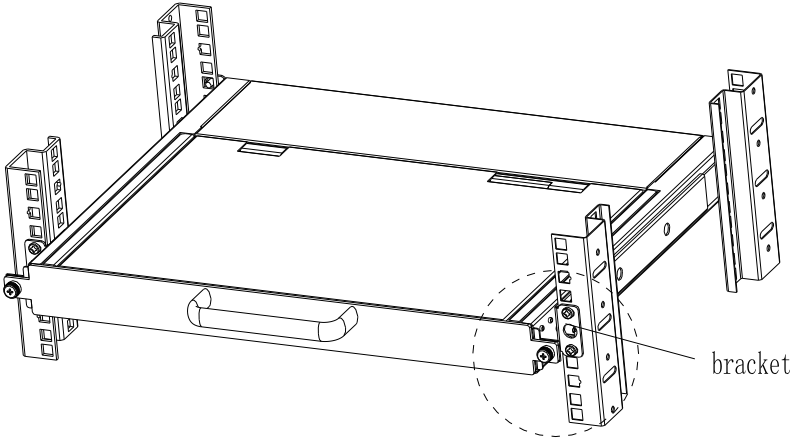


2-1.1 rack mounting (1)



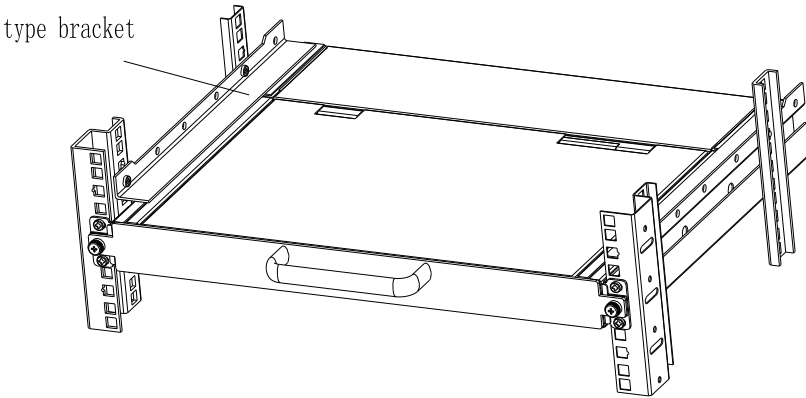
2-1.2 rack mounting (2)

For depth: 300-400mm, move back the rear brackets before installation.



2-1.3 rack mounting (3)

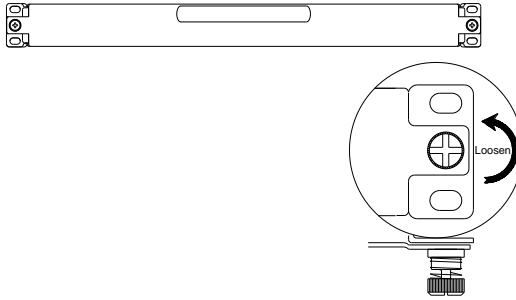
For rack without rear vertical frame, need to install L stand.



2-1.4 rack mounting (4)

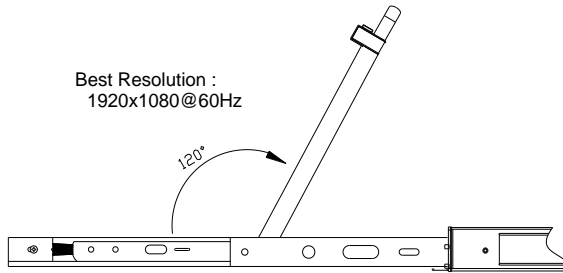
Opening the console

- Power on the KVM after connection
- Pull it out, and the rails will be locked automatically;
- Release the front panel screw



2-2.1 unlocking

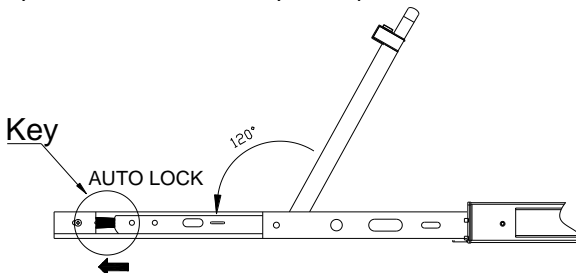
- Rotate the LCD module all the way back to expose the LCD screen, the LCD module can be rotated up to 125°. (Recommend to 120°.)



2-2.2 rotate angle of the console

Closing the console

- Close the LCD display panel and the power automatically shut down.
- Push the release catch in the direction of the arrow, push the LCD panel all the way in until it automatically lock up.



2-2.3 open angle of the console

LCD OSD Configuration



The LCD OSD allows you to set up and configure the LCD display.


Buttons	Functions
MENU SELECT	Press this button invokes the menu function and brings up the main menu.
EXIT/AUTO	Press this button exits the current menu and return to the previous menu or press this button exits the LCD OSD. Press AUTO for automatic configuration.
SL-/SL+	Press this button moves your menu to make corresponding adjustment.
 LED state	Green :running Red :power off or access nonstandard VESA signal Green Flash: energy saving mode or no signal

Table 1 LED OSD configuration instruction

Press AUTO if the screen migrates after power on or under other circumstances, then the screen auto configure to its best display state.(It might can't be adjusted to its best state if part of the display mode is not standard VESA mode, if so return back to OSD menu to RESET, then it will back to normal.

We suggest our customers to set up the display mode at 1920x1080, refresh rate at 60Hz.

Specifications

Model		LH1601
Computer connections	Direct	1
	Max	1
Port emulation	Keyboard, mouse	USB
LCD monitor	LCD model	FHD TFT
	View area	15.6 "
	Optimum resolution	1920 x 1080@60Hz
	Display color	16.2M
	Brightness	250cd/m ² (T y p)
	Contrast ratio	800 : 1 (T y p)
	Pixel pitch(mm)	0.17925(H) × 0.17925(V)
Mouse	X/Y resolution	>1000 points /inch,(40 points/mm)
	Scroll wheel	Supports scroll wheel function
Keyboard	99 keys (82 keys main keyboard +17 independent small numeric keyboard)	
Input power	DC12V /2A	
Power consumption	9W	
Operating temperature	0—50 °C	
Store temperature	-20—60 °C	
Humidity	0—80% RH, non-condensing	
Net weight	8.7kg	
Product dimension (W ×D ×H)	448mm×360 mm×42.5mm	
Package dimension (W× D× H)	600mm×538mm×160mm	