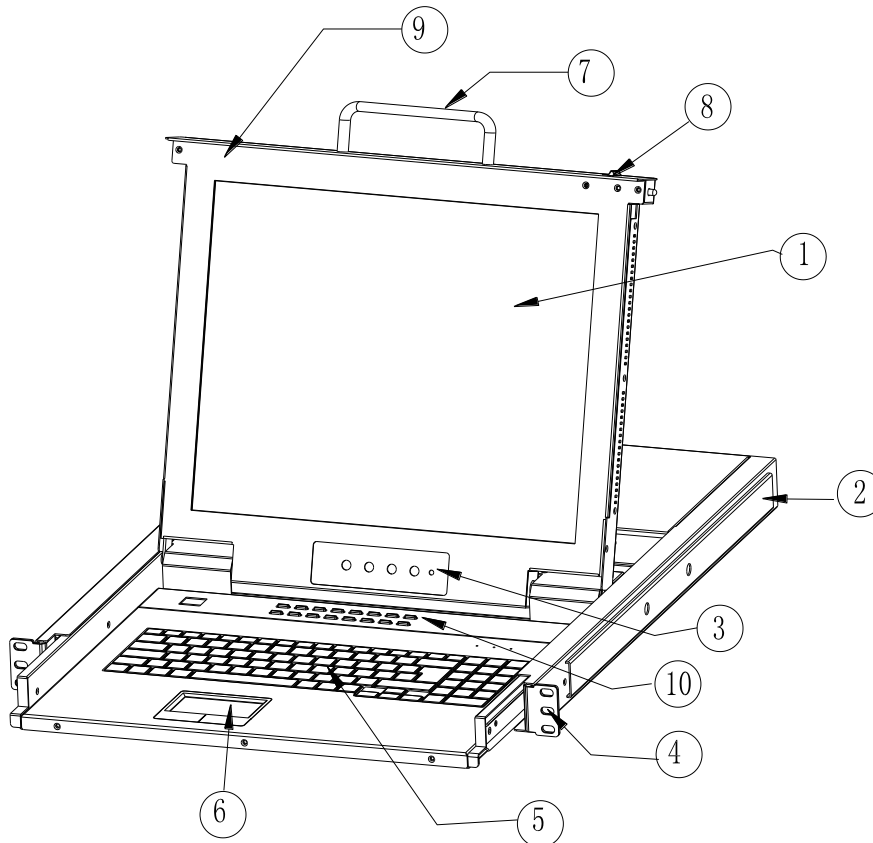


8 / 16 Port 17" VGA LCD KVM Console (XL1708 / XL1716)



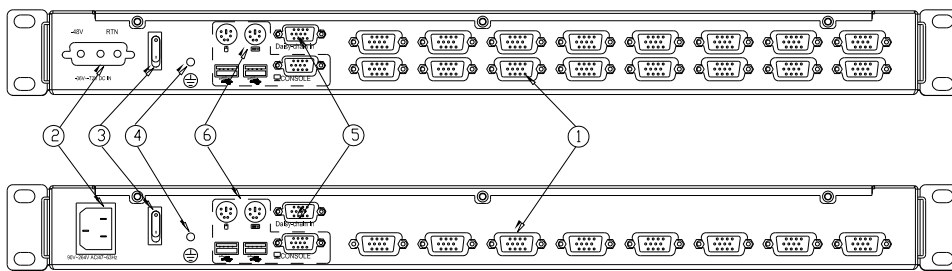
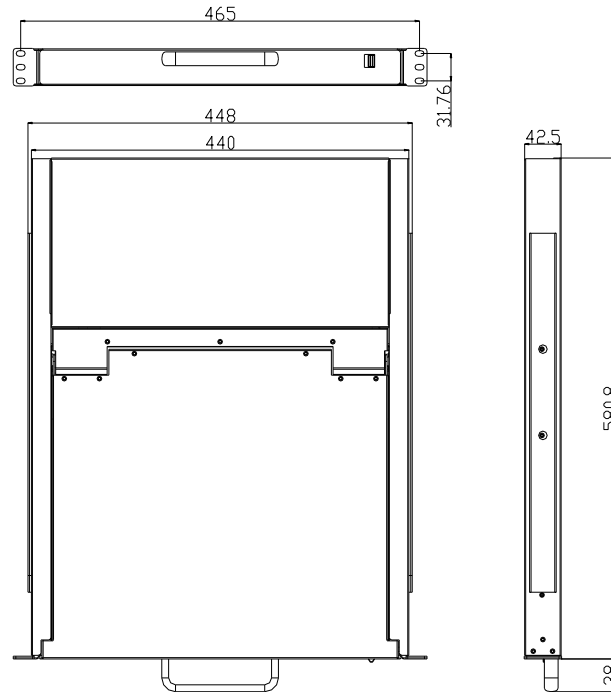
Overview

The 17" XL Series VGA LCD KVM console is a control unit that allows access to multiple computers from an USB or PS/2 KVM console. An extra console port is provided on the rear panel to manage the LCD KVM switch from an external console. It allows to access and control up to 8 / 16 computers from a single console (keyboard, mouse, and monitor). As many as 256 / 512 computers can be controlled from a single keyboard- monitor-mouse console by cascading to another 31 additional switches. The KVM switch supports USB or PS/2 connections for the console and computers, VGA connectors and VGA cable are used to link to the computers.



1 LCD Monitor	6 Touchpad
2 Rear Bracket Slot	7 Handle
3 Display Menu Buttons	8 Release Switch
4 Mounting Bracket	9 Display Panel
5 Keyboard	10 Port Selection Buttons

Structure



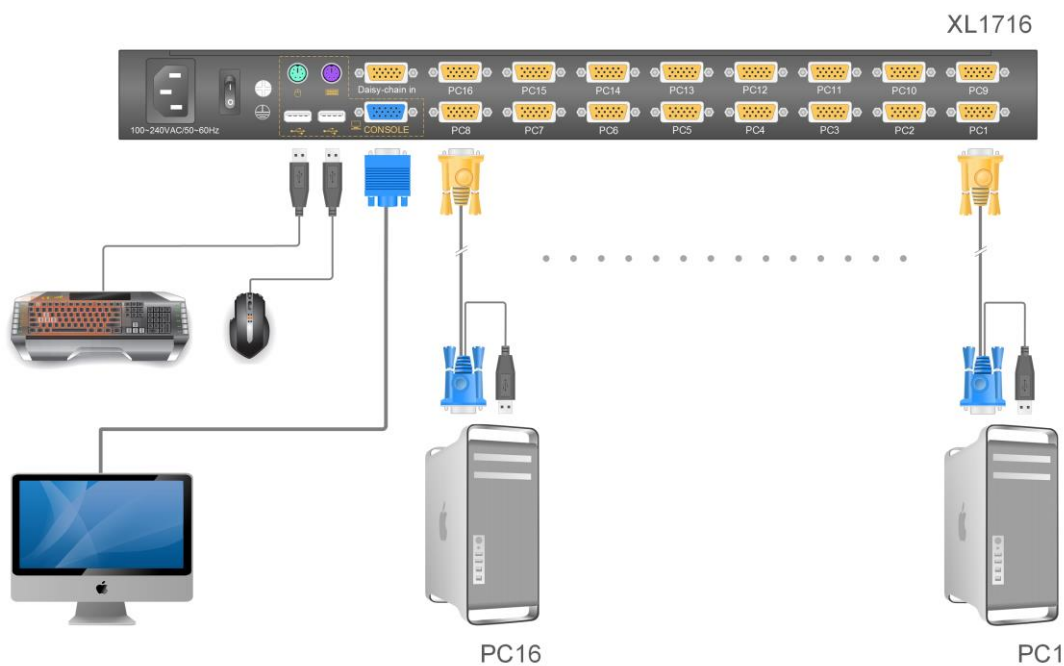
1 PC Port	4 Ground Connection Screw
2 Power input(AC)	5 Cascade port
3 Power switch	6 Console Port

Features

- 17" TFT LCD monitor, high brightness, high resolution
- 1U height, suitable height for standard 19" rack mount, metal structure
- Ultra slim 99 keys keyboard with small numeric keyboard
- A single USB console controls up to 8 or 16 computers
- By daisy chaining up to 31 additional Combo-KVM, as many as 512 computers can be controlled from the single KVM console which supports 8 or 16 ports KVM seamless mixed cascade connection
- Dual interface – supports computers with PS/2 and USB keyboard and mouse
- Auto PS/2 and USB interface detection
- Two level password security – only authorized users view and control computers; up to four users and an administrator with a separate profile for each
- Broadcast mode – operations simultaneously performed on all selected computers

- Multiplatform support – Windows, Linux, Mac and Sun
- Superior video quality – up to 1280x1024@60Hz
- USB or PS/2 keyboard emulation--computer boot even the console focus is else where
- Convenient computer switching via front panel pushbuttons, hotkeys, OSD menu
- Auto scan feature for monitoring user-selected computers
- Hot pluggable – add or remove computers without having to power down the switch
- Quickly select your computer by naming the server or inputting SN number of the server

Connection Diagram



Package Contents

- 1x LCD KVM Switch
- 1x Power Cord (Regional)
- 1x Quick Start Guide
- 2x Mounting Rails
- 8/16x USB+VGA KVM Cable(1.8m/6ft)

Specifications

Model		XL1708	XL1716
Computer Connections	Direct	8	16
	Max	256	512
Port Emulation	Keyboard, Mouse	PS/2, USB	
LCD Monitor	LCD model	SXGA TFT	
	View area	17 "	
	Optimum resolution	1280×1024@60Hz	
	Display color	16.7 M	
	Brightness	250cd/m ² (T y p)	
	Contrast ratio	1000 : 1 (T y p)	
	Pixel pitch(mm)	0.264(H) × 0.264(W)	
Mouse	X/Y resolution	>1000 points /inch, (40 points/mm)	
	Touchpad	Eliminates the need for an external mouse	
Keyboard		99 keys (82 keys main keyboard +17 independent small numeric keyboard)	
Port Selection		Pushbuttons, hotkeys, OSD menu	
Input Power		100V – 240Vac, 50 ~ 60Hz, <1.5A	
Power Consumption		17W	23W
Operating Temperature		0 – 40 °C	
Storage Temperature		-20 – 60 °C	
Humidity		0 – 80% RH, non-condensing	
Net Weight		13.3kg	13.7kg
Product Dimension (W × D × H)		448mm×581mm×42.5mm	
Package Dimension (W × D × H)		765mm×615mm×185mm	
Optional Power Input		-36V– -72V DC	