

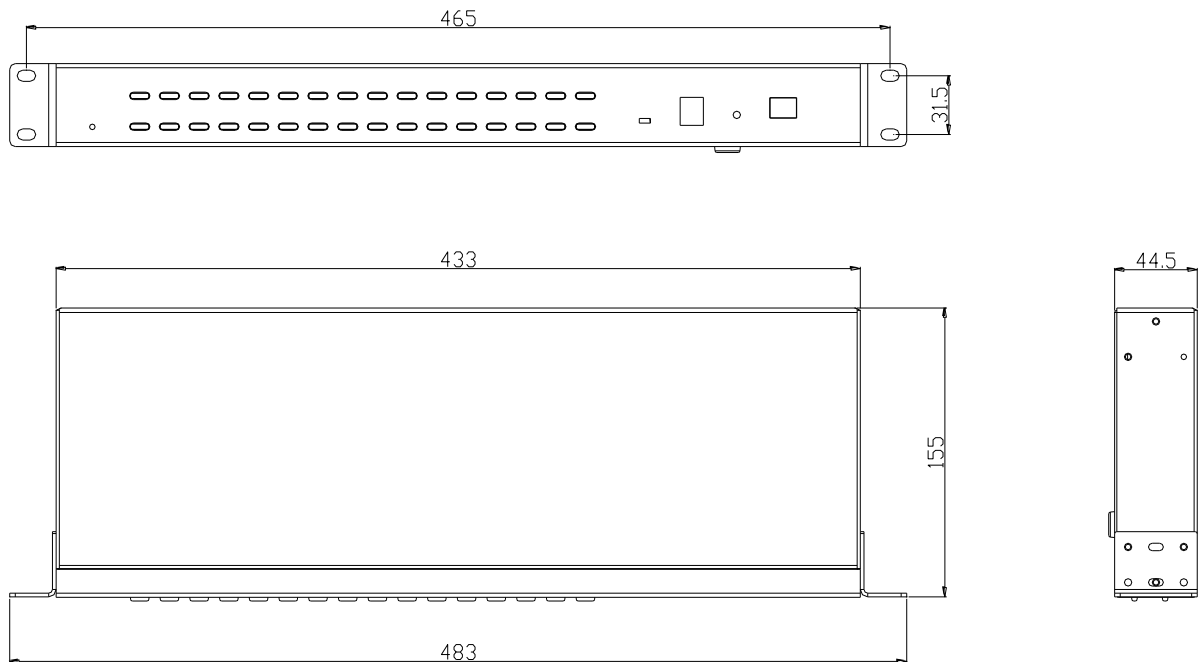
8 / 16 / 32 Port Rack Mount CAT5 KVM Switch (KC2108 / KC2116 / KC2132)



Overview

The KC series KVM switch allows access and control up to 8/16/32 computers from a single console (keyboard, mouse and monitor). As many as 256 / 512 / 1024 computers can be controlled from a single keyboard-mouse console by cascading to another 31 additional switches. The KVM switch supports USB connections for the console and computers, RJ-45 connector and CAT5e/6 cable are used to link to the computers.

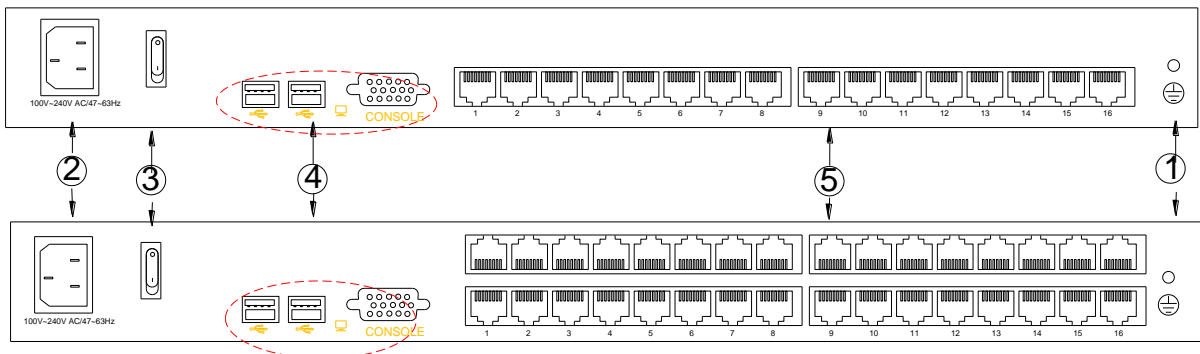
Structure



Features

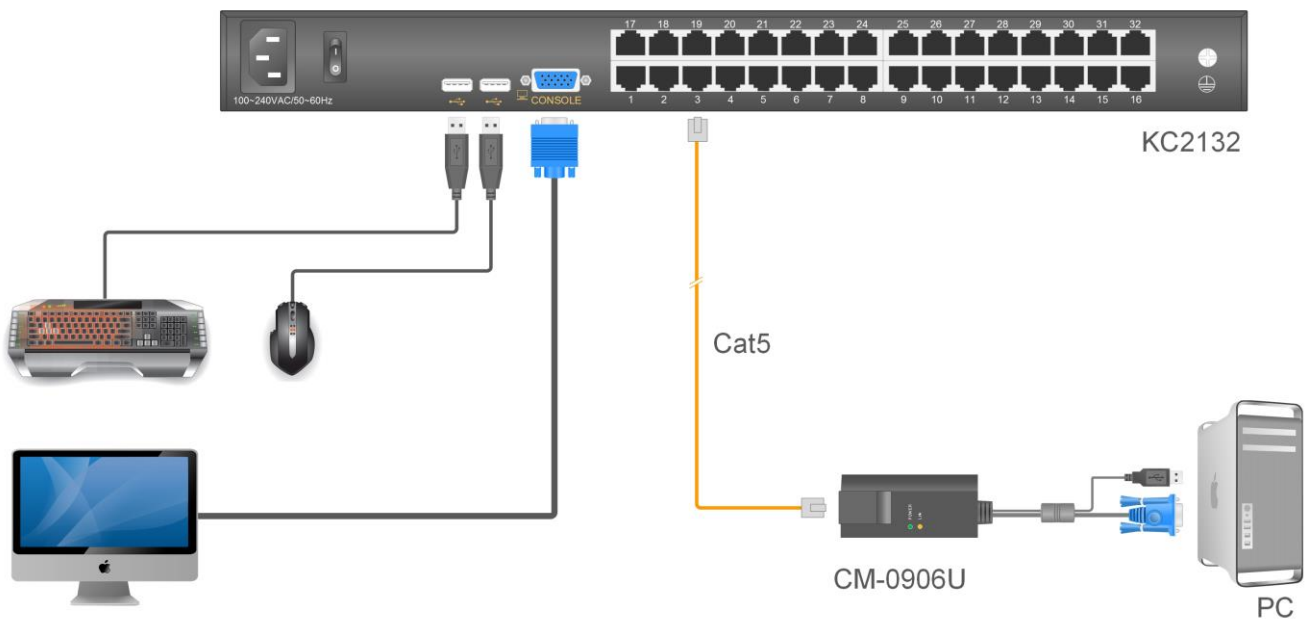
- Access and control up to 8 / 16 / 24 / 32 computes
- Extending the transmitting distance between the console and the computer—1920x1080 @60Hz
- Supports multiple systems: PC, Mac, Sun etc.
- Two level password security – only authorized users view and control computers; up to four users and an administrator with a separate profile for each
- Users can set up different hot keys (【 Scroll Lock】 / 【 Caps Lock】 / 【 F12】 / 【 Ctrl】), auto scanning time, port display time, log out time, buzzer on/off and mouse on/off according to their different needs
- Convenient computer switching via mouse
- Broadcast mode – operations simultaneously performed on all selected computers
- No software – switching port via front panel LEDs and OSD menu
- Hot pluggable – add or remove computers without having to power down the switch
- Auto scan feature for monitoring user-selected computers
- Keyboard and mouse emulation function.

Connector



No.	Instruction
1	Ground Connection Screw
2	Power Socket
3	Power Switch
4	Local Console
5	KVM Console

Connection Diagram



Specifications

Model		KC2108	KC2116	KC2132	
Direct		8	16	32	
Max		256	512	1024	
Port Selection		Front panel pushbuttons, keyboard hotkeys, OSD (On-Screen Display)			
Connector	Console	Monitor	1x HDB-15 Female(blue)		
		Keyboard	1x USB TYPE A		
		Mouse	1x USB TYPE A		
	KVM port (RJ45)		8	16	32
	Upgrading switch		1x RJ11 Female		
	Power		3-Prong AC socket		
Switch	Port Selecting		8x buttons	16x buttons	32x buttons
	Reset		1x touch-button		
	Upgrading switch		1x pull switch		
	Power		1x rocker switch		
Indicating LEDs	Online		8 (green)	16(green)	32(green)
	Selected		8 (orange)	16(orange)	32(orange)
	Power		1(blue)		
	Cascading/port display		2x 7- Segment (orange)		
I/R Value		100V – 240Vac, 50 ~ 60Hz, <1.5A			
Video Signal		1920x1080@60Hz			
Power Consumption		4W	5W	6W	
Emulation	Keyboard/Mouse		PS/2, USB		
Environment Requirements	Working Temperature		0 – 40 °C		
	Store Temperature		-20 – 60 °C		
	Humidity		0 – 80%RH, non-condensing		
Physical Features	Material		Metal		
	Weight		2.5kg	2.7kg	2.9kg
	Dimension		433x171x44.5mm		