

8 port USB&PS2 combo kvm switch

Product Introduction

The XM0108 KVM switch allows access and control up to 8 computers from a single console (keyboard, mouse, and monitor). As many as 256 computers can be controlled from a single keyboard-mouse console by cascading to another 31 additional switches. The KVM switch supports both USB and PS/2 connections for the console and computers.

Product Feature

Hardware Features

- ◇ 1U Design-Occupies only 1U of the rack space
- ◇ Fit for standard 19" rack mounting
- ◇ Standard VGA connector-Connect to a server or KVM switch via a standard VGA connector

Management Way

- ◇ Convenient computer switching via front panel pushbuttons, OSD menu and mouse
- ◇ Auto scan feature for monitoring user-selected computers
- ◇ Broadcast mode--operations simultaneously performed on all selected computers
- ◇ Hot pluggable --add or remove computers without having to power down the switch
- ◇ Quickly select your computer by naming the server or inputting SN number of the server

Security

- ◇ Two level password security--only authorized users view and control computers; up to four users and an administrator with a separate profile for each

High Resolution

- ◇ Resolution is up to 2048x1536; DDC2B.

Cascade Feature

- ◇ Directly access and control up to 8 servers with single XM0108
- ◇ By cascading to 31 additional switches, as many as 256 computers can be controlled from single XM0108

Wide Compatibility

- ◇ Multi-platform Support-Compatible with Windows, Sun, Unix and Linux
- ◇ Supports server form Lenovo, HUA WEI, HP, IBM and Dell, etc.

Product image

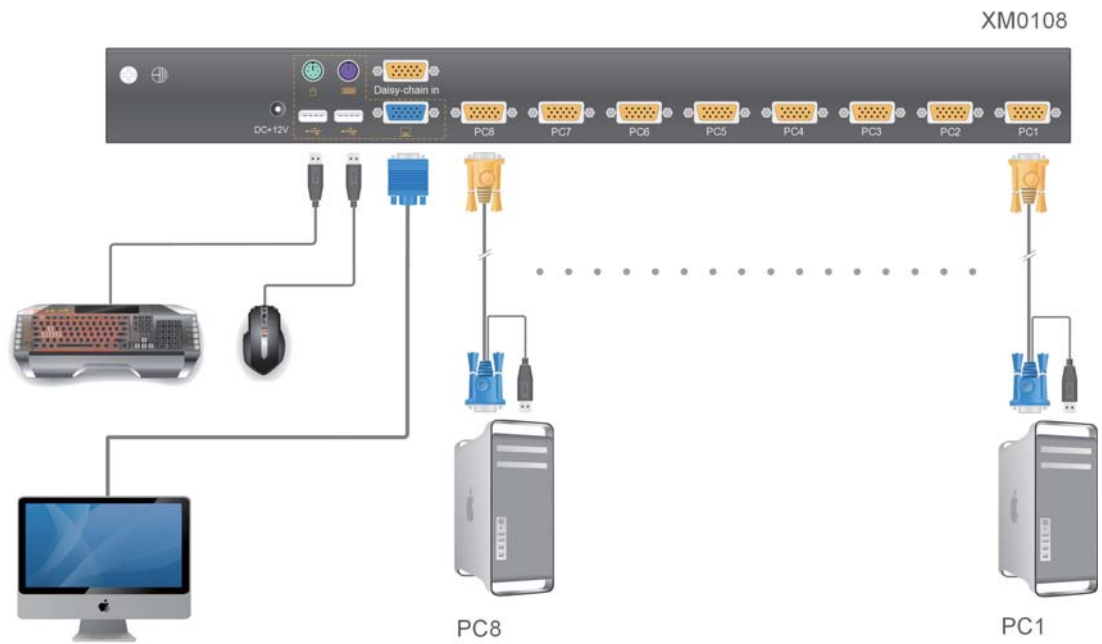
XM0108 back view



XM0108 front view



Topological Diagram



Optional Accessories



Description: 1.8M USB KVM signal cable
Model: CH-1802U(Standard)



Description: 1.8M USB&PS/2 KVM signal cable
Model: CH-1801M



Description: 3M USB KVM signal cable
Model: CH-3001U



Description: 3M USB&PS/2 KVM signal cable
Model: CH-3001M



Description: 5M USB KVM signal cable
Model: CH-5001U



Description: 5M USB&PS/2 KVM signal cable
Model: CH-5000M

Specifications

Model		XM0108	
Computer Connections		8	
Port Selection		Select buttons/OSD menu	
Connector	Console	XM:monitor keyboard mouse	1*HDB-15 Female(blue) 1 * 6P Mini-DIN F(purple) 1* 6P Mini-DIN F(green) 2 * USB type A
		XU:monitor keyboard mouse	1*HDB-15 Female(blue) 2 * USB type A
	KVM port (HDB-15 Female(yellow))		8*(yellow)
	Cascade port		1*HDB-15 Female(yellow)
Switch	Port selection	8* keys	
LED indicator	Online	8* (green)	
	Selected	8* (orange)	
	Cascading display	2*7- Segment (orange)	
I/R value		DC 12V ; 0.5A	
Video signal		2048×1536;DDC2B	
Power consumption		4W	
Emulation	keyboard/mouse	PS/2 ,USB	
Environment requirements	Operating temperature	0~40°C	
	Store temperature	-20~60°C	
	Humidity	0-80%RH,Non-condensing	
Physical features	Material	metal	
	Weight	2.3kg	
	Dimension	440*169*43mm	